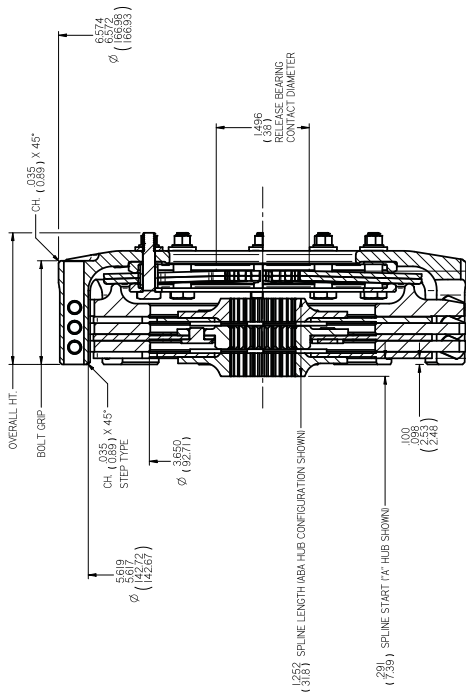


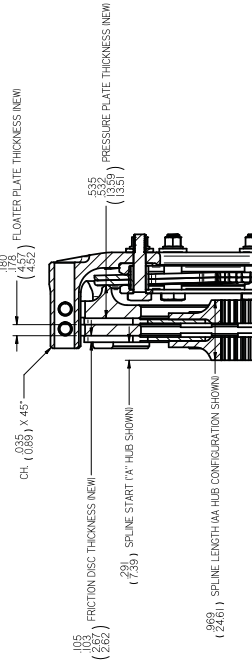
621
(15.8) SPLINE START 'C' HUB SHOWN

125
(3.18) SPLINE LENGTH ACCC HUB CONFIGURATION SHOWN

4 PLATE, POT TYPE ('ACCC' DISC PACK HUB CONFIGURATION)



3 PLATE, STEP TYPE ('ABA' DISC PACK HUB CONFIGURATION)

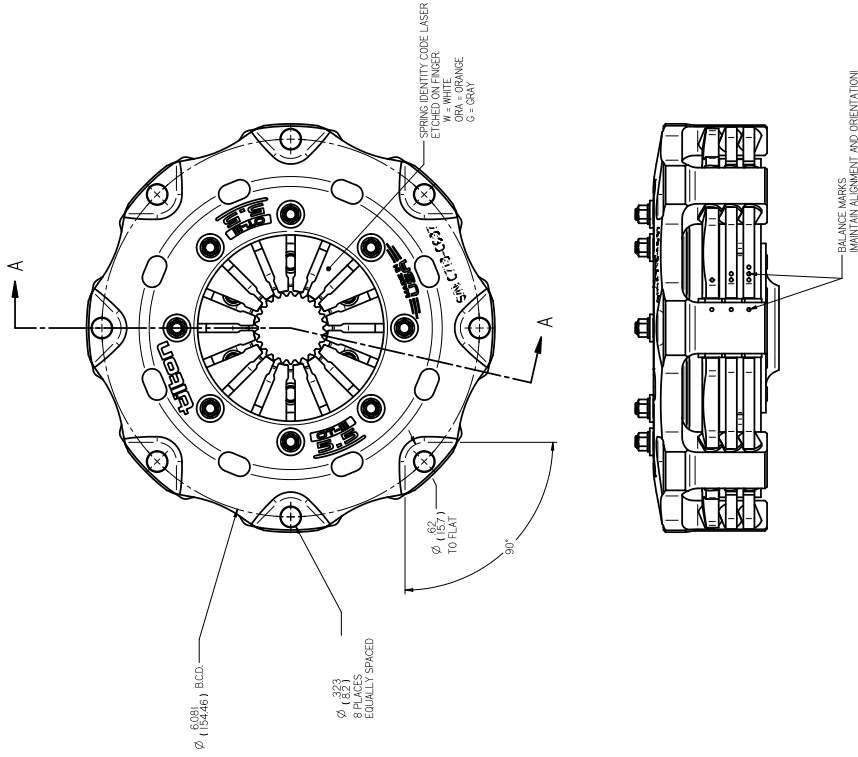


2 PLATE, STEP TYPE ('AA' DISC PACK HUB CONFIGURATION)

- NOTES:
1. PRIMARY DIMENSIONS ARE INCHES. SECONDARY DIMENSIONS (MM).
 2. CLUTCH WILL FUNCTION WITH ANY RADIUS FACED BEARING FROM 38mm TO 52mm DIA. 38mm BEARING HIGHLY RECOMMENDED FOR BEST FEEL AND LOWEST RELEASE LOAD.
 3. ILLUSTRATED WITH DISC PACK PART NUMBERS AS FOLLOWS:
67-002HG WITH 641-40-S-4A-36
67-002HG WITH 641-40-S-4A-36
67-014HX WITH 641-40-S-4ACC36
DISCS SOLD SEPARATELY.

CLUTCH P/N	# OF DISCS	FLYWHEEL MOUNTING		SETUP HEIGHT (NEW)*		SETUP HEIGHT (WORN 0.03")*		BOLT GRIP		OVERALL HEIGHT	
		IN	MM	IN	MM	IN	MM	IN	MM	IN	MM
67-011HX	1	0.820	20.83	0.940	23.88	1.003	25.48	1.461	37.11		
67-001HX	1	0.820	20.83	0.940	23.88	1.102	27.99	1.560	39.62		
67-012HX	2	1.100	27.94	1.220	30.99	1.286	32.66	1.741	44.22		
67-002HX	2	1.100	27.94	1.220	30.99	1.385	35.18	1.840	46.74		
67-013HX	3	1.380	35.05	1.500	38.10	1.569	39.85	2.021	51.33		
67-003HX	3	1.380	35.05	1.500	38.10	1.668	42.37	2.100	53.85		
67-014HX	4	1.680	42.67	1.800	45.72	1.851	47.02	2.300	58.42		
67-004HX	4	1.680	42.67	1.800	45.72	1.950	49.53	2.400	60.96		

* SETUP HEIGHT VARIES SLIGHTLY WITH SPRING AND PRESSURE PLATE COMBINATIONS. SEE WWW.TILTONENGINEERING.COM/TECHNICAL FOR MORE INFORMATION.



TILTON ENGINEERING, INC.
25 EASY STREET P.O. BOX 1797 BUELLTON, CALIFORNIA 94627 USA
(805) 688-2338 FAX (805) 888-2745

TITLE: INSTALLATION DRAWING
METALLIC CLUTCH, OT-III 5.5"

REV 6402
DWS
SCALE 1:1
SHEET 1 OF 1

This document contains proprietary information of TILTON ENGINEERING, INC., and its receipt or possession does not convey thoughts to reproduce, disclose its contents, or manufacture, use or sell anything it may describe. Reproduction, disclosure, or use without explicit written authorization of TILTON ENGINEERING, INC., is strictly forbidden.

TILTON ENGINEERING

8 7 6 5 4 3 2 1
REV ECH DATE BY CHANGE OR ADDITION