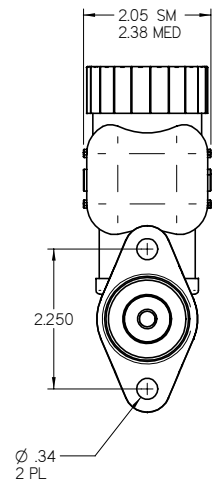
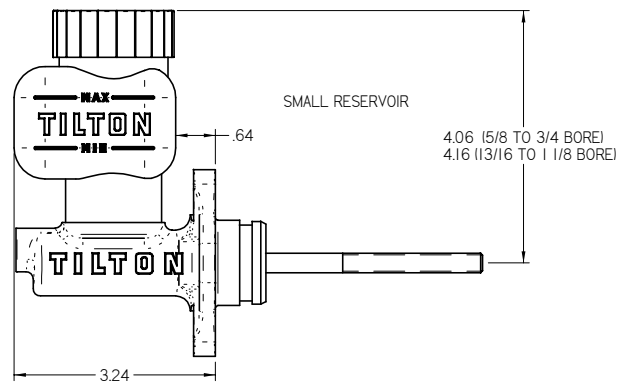
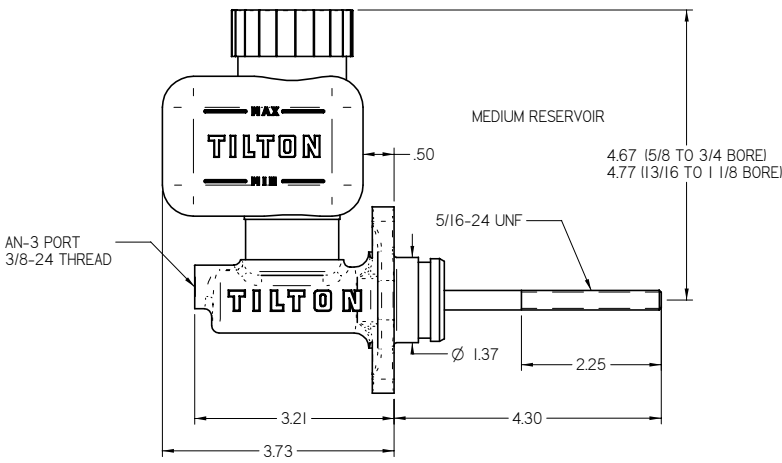
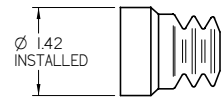




DUST BOOT INCLUDED



NOTES:  
1. UNLESS SPECIFIED OTHERWISE DIMENSIONS ARE IN INCHES  
2. DIMENSIONS ARE NOMINAL

TILTON ENGINEERING, INC.		(805)688-2353 FAX (805)688-2745	
25 EASY STREET P.O. BOX 1787		BUELLTON, CALIFORNIA 93427 USA	
TITLE: 75-SERIES MASTER CYLINDER WITH SMALL AND MEDIUM RESERVOIRS			
DRN BY ROBINSON	CHK'D	SCALE 1:1	DWG
P/N 75-XXX	DATE 06/25/02	SHEET 1 OF 1	DWG#

This document contains proprietary information of TILTON ENGINEERING, INC. and its receipt or possession does not convey the rights to reproduce, disclose its contents, or to manufacture, use or sell anything it may describe. Reproduction, disclosure, or use without specific written authorization of TILTON ENGINEERING, INC. is strictly forbidden.

TILTON ENGINEERING