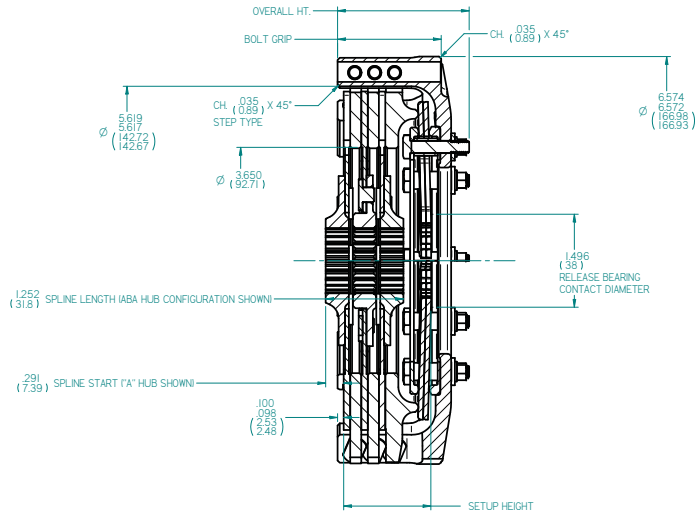
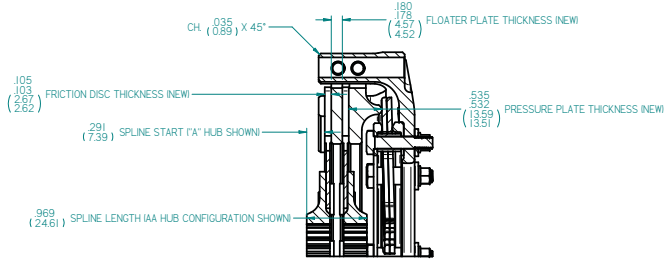


4 PLATE, POT TYPE ("ACCC" DISC PACK HUB CONFIGURATION)



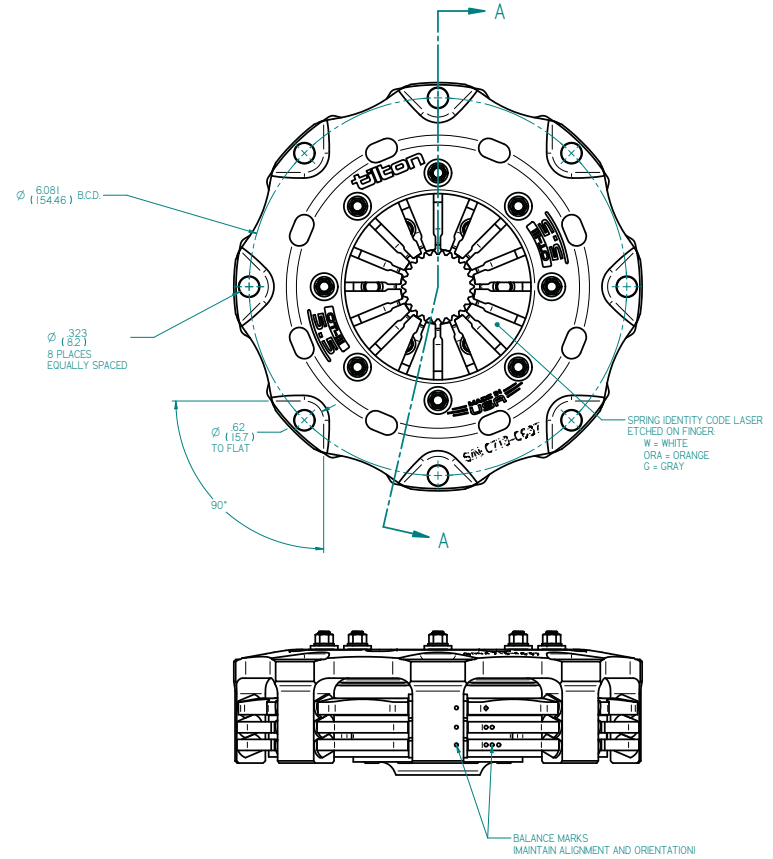
3 PLATE, STEP TYPE ("ABA" DISC PACK HUB CONFIGURATION)



2 PLATE, STEP TYPE ("AA" DISC PACK HUB CONFIGURATION)

CLUTCH P/N	# OF DISCS	FLYWHEEL MOUNTING	SETUP HEIGHT (NEW)*		SETUP HEIGHT (WORN .03")*		BOLT GRIP		OVERALL HEIGHT	
			IN	MM	IN	MM	IN	MM	IN	MM
67-011HX	1	POT	0.820	20.83	0.940	23.88	1.003	25.48	1.461	37.11
67-001HX	1	STEP	0.820	20.83	0.940	23.88	1.102	27.99	1.560	39.62
67-012HX	2	POT	1.100	27.94	1.220	30.99	1.286	32.66	1.741	44.22
67-002HX	2	STEP	1.100	27.94	1.220	30.99	1.385	35.18	1.840	46.74
67-013HX	3	POT	1.380	35.05	1.500	38.10	1.569	39.85	2.021	51.33
67-003HX	3	STEP	1.380	35.05	1.500	38.10	1.668	42.37	2.120	53.85
67-014HX	4	POT	1.680	42.67	1.800	45.72	1.851	47.02	2.300	58.42
67-004HX	4	STEP	1.680	42.67	1.800	45.72	1.950	49.53	2.400	60.96

\* SETUP HEIGHT VARIES SLIGHTLY WITH SPRING AND PRESSURE PLATE COMBINATIONS. SEE [www.tiltonracing.com/TECHNICAL](http://www.tiltonracing.com/TECHNICAL) FOR MORE INFORMATION.



NOTES:

- PRIMARY DIMENSIONS ARE INCHES. SECONDARY DIMENSIONS (MM).
- CLUTCH WILL FUNCTION WITH ANY RADIUS FACED BEARING FROM 38mm TO 52mm DIA. 38mm BEARING HIGHLY RECOMMENDED FOR BEST FEEL AND LOWEST RELEASE LOAD.
- ILLUSTRATED WITH DISC PACK PART NUMBERS AS FOLLOWS:  
 67-002HG WITH 64140-9-AA-36  
 67-003HG WITH 64140-9-ABA-36  
 67-014HG WITH 64140-9-ACCC-36  
 DISCS SOLD SEPARATELY.

TILTON ENGINEERING, INC. (805) 688-2353 FAX (805) 688-2745  
 25 EASY STREET P.O. BOX 1787 BUELLTON, CALIFORNIA 93427 USA

TITLE: INSTALLATION DRAWING METALLIC CLUTCH, OT-III 5.5"

DRN BY LUND	CHKD WAHL	SCALE 1:1	DWG 6402	REV NC
PIN 67-0XXXX	DATE 8/9/2016	SHEET 1 OF 1		

This document contains proprietary information of TILTON ENGINEERING, INC. and its receipt or possession does not convey the rights to reproduce, disclose its contents, or to manufacture, use or sell anything it may describe. Reproduction, disclosure, or use without specific written authorization of TILTON ENGINEERING, INC. is strictly forbidden.

**TILTON ENGINEERING**