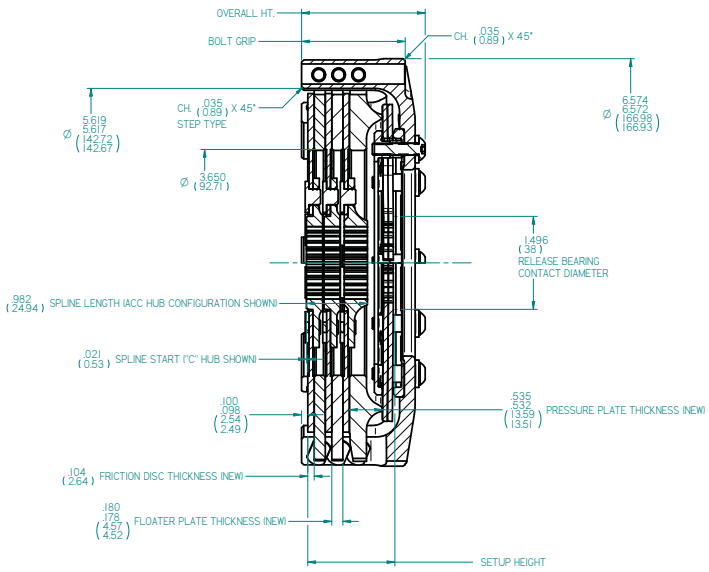


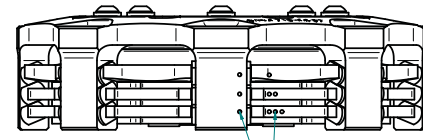
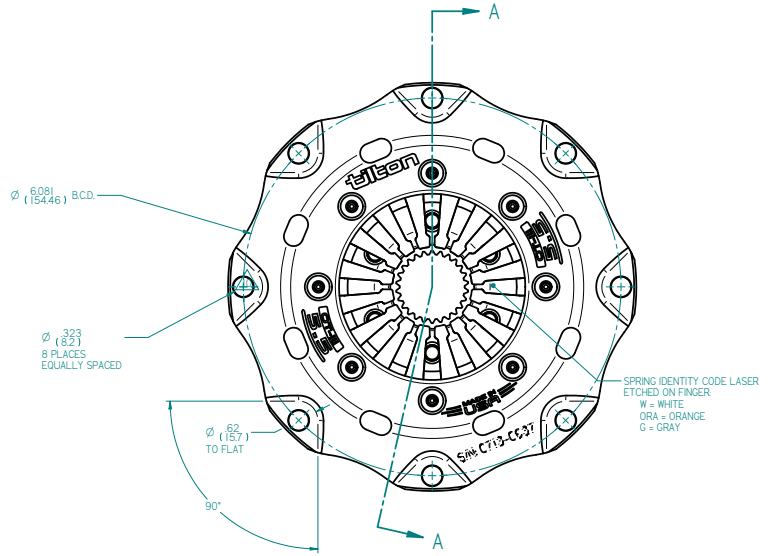
CLUTCH P/N	# OF DISCS	FLYWHEEL MOUNTING	SETUP HEIGHT (NEW)*		SETUP HEIGHT (WORN .03")*		BOLT GRIP		OVERALL HEIGHT	
			IN	MM	IN	MM	IN	MM	IN	MM
67-513HX	3	POT	1.380	35.05	1.500	38.10	1.569	39.85	1.989	50.52
67-503HX	3	STEP	1.380	35.05	1.500	38.10	1.668	42.37	1.989	50.52
67-514HX	4	POT	1.680	42.67	1.800	45.72	1.852	47.04	2.272	57.71
67-504HX	4	STEP	1.680	42.67	1.800	45.72	1.951	49.56	2.272	57.71

\* SETUP HEIGHT VARIES SLIGHTLY WITH SPRING AND PRESSURE PLATE COMBINATIONS. SEE [www.tiltonracing.com/TECHNICAL](http://www.tiltonracing.com/TECHNICAL) FOR MORE INFORMATION

4 PLATE, STEP TYPE ("ACCC" DISC PACK HUB CONFIGURATION)



3 PLATE, STEP TYPE ("ACC" DISC PACK HUB CONFIGURATION)



- NOTES:
- PRIMARY DIMENSION IN INCHES. SECONDARY DIMENSIONS (mm).
  - CLUTCH WILL FUNCTION WITH ANY RADIUS FACED BEARING FROM 38mm TO 52mm DIA. 38mm BEARING HIGHLY RECOMMENDED FOR BEST FEEL AND LOWEST RELEASE LOAD.
  - ILLUSTRATED WITH DISC PACK PART NUMBERS AS FOLLOWS:
- 67-503HG WITH 64140-9-ACC-36  
67-504HG WITH 64140-9-ACCC-36  
DISCS SOLD SEPARATELY.

TILTON ENGINEERING, INC.				(805) 688-2353 FAX (805) 688-2745	
25 EASY STREET P.O. BOX 1787 BUELLTON, CALIFORNIA 93427 USA					
TITLE: ASSEMBLY DRAWING, 5.5" METALLIC CLUTCHES					
TILTON OT-III HEAVY DUTY					
DRN BY	LUND	CHKD	WAHL	SCALE 1:1	DWG 6403
PIN	67-5XXHX	DATE	8/9/2016	SHEET 1 OF 1	REV NC

This document contains proprietary information of TILTON ENGINEERING, INC. and its receipt or possession does not convey the rights to reproduce, disclose its contents, or to manufacture, use or sell anything it may describe. Reproduction, disclosure, or use without specific written authorization of TILTON ENGINEERING, INC. is strictly forbidden.

