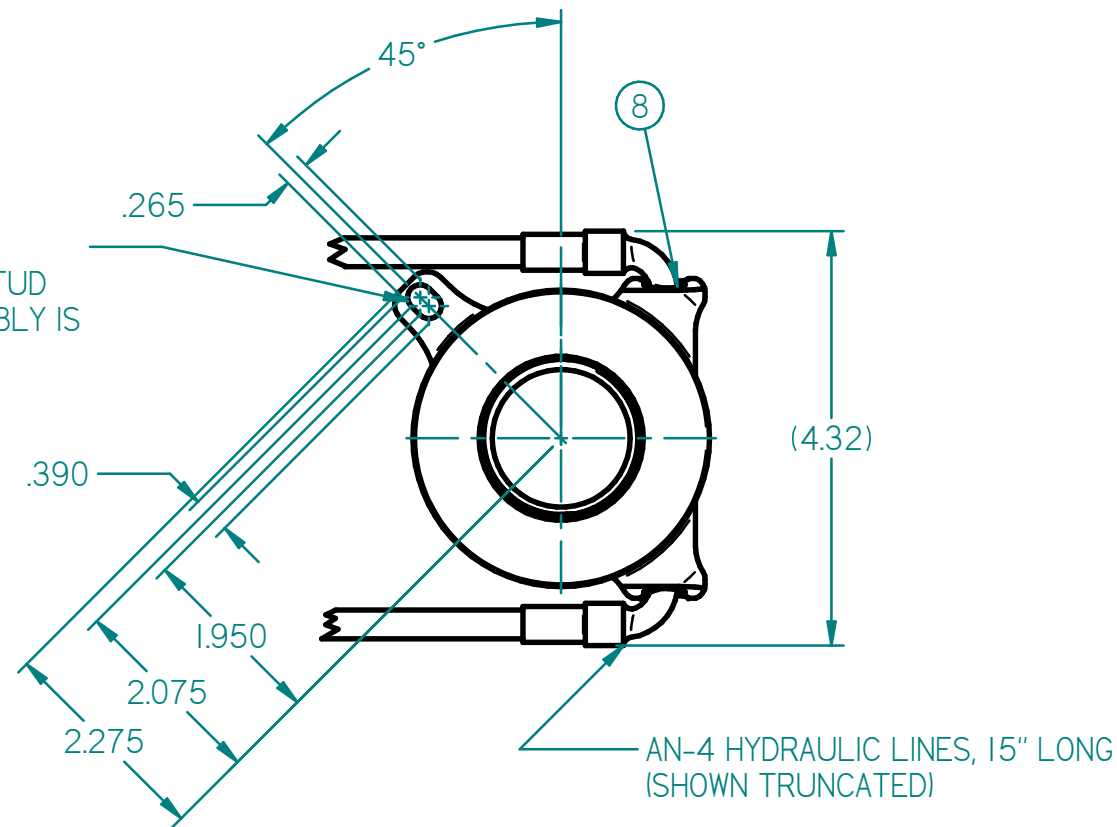


SLOTTED HOLE PROVISION
ALLOWS FOR ANTI-ROTATION STUD
TO BE INSTALLED ONCE ASSEMBLY IS
SET AT DESIRED HEIGHT.



AN-4 HYDRAULIC LINES, 15" LONG
(SHOWN TRUNCATED)

CUSTOM DUAL O-RING FITTING
WITH SNAP RING ALLOWS 360°
ROTATION FOR INSTALLATION AND
ROUTING.

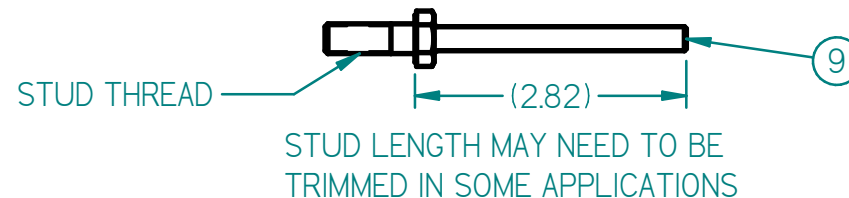
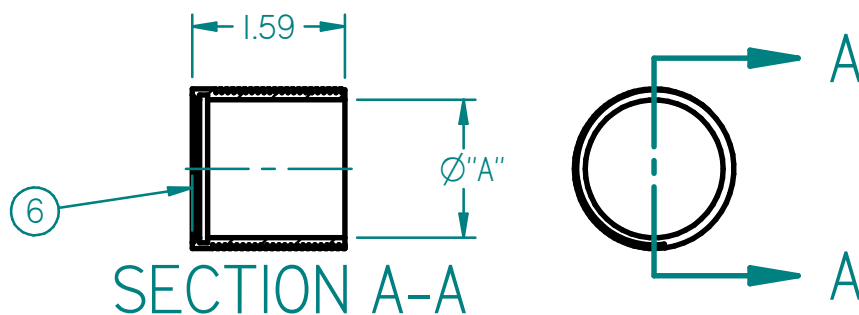
ITEM	PART NUMBER	DESCRIPTION	QTY
1	62-617	WIPER	1
2	62-614	HYDRAULIC SEAL	1
3	62-521	SWIVEL HOSE, AN-4	2
4	62-714	HYDRAULIC BASE	1
5	62-618	BEARING	1
6	SEE CHART	SLEEVE	1
7	62-6100	PISTON	1
8	5100-43	SNAP RING	2
9	SEE CHART	ANTI-ROTATION STUD	1

THREADED MOUNTING SLEEVE CHART		
SLEEVE P/N	SLEEVE I.D.	USED IN ASS'Y P/N
62-651	1.438	60-6102, 60-6104
62-652	1.375	60-6101, 60-6103
62-653	1.000*	60-6100

*MAY BE MACHINED TO MATCH O.D. OF TRANSMISSION PILOT TUBE. DO NOT EXCEED 1.450" DIAMETER.

ANTI-ROTATION STUD CHART		
STUD P/N	STUD THREAD	USED IN ASS'Y P/N
95-603	5/16"-18 UNC	60-6101, 60-6102
95-604	M8 X 1.25	60-6103, 60-6104

STUD NOT INCLUDED IN 60-6100 "UNIVERSAL" ASSEMBLY.



INSTALLATION NOTES:

1. USE ONLY WITH DOT-3 OR DOT-4 BRAKE FLUID.
2. NO INTERNAL TRAVEL LIMITER. MUST BE USED WITH CLUTCH PEDAL STOP.
3. SEAL REBUILD KIT = 62-905.
4. SEAL INSTALLATION TOOL = 96-002.
5. HYDRAULIC AREA = 1.215 SQ IN.
6. EITHER PORT MAY BE USED FOR FEED OR BLEED.
7. ORIENTATE BLEED PORT TO WITHIN 10 DEGREES OF TOP CENTER TO FACILITATE BLEEDING PROCESS.

TILTON ENGINEERING, INC.		FAX 805/688-2745	
25 EASY STREET, P.O. BOX 1787, BUELLTON, CA 93427 805/688-2353			
TITLE: HYDRAULIC RELEASE BEARING ASSEMBLY FLAT FACED BEARING, 6000 SERIES, THREADED SLEEVE MOUNTED			
DRAWN BY LUND	CHKD WAHL	SCALE 1:2	SIZE DWG
P/N SEE CHART	DATE 10/23/13	SHEET 1 OF 1	B 5909 B

This document contains proprietary information of TILTON ENGINEERING, INC., and its receipt or possession does not convey the rights to reproduce, disclose its contents, or to manufacture, use or sell anything it may describe. Reproduction, disclosure, or use without specific written authorization of TILTON ENGINEERING INC. is strictly forbidden.

