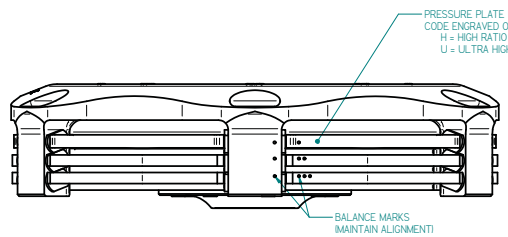
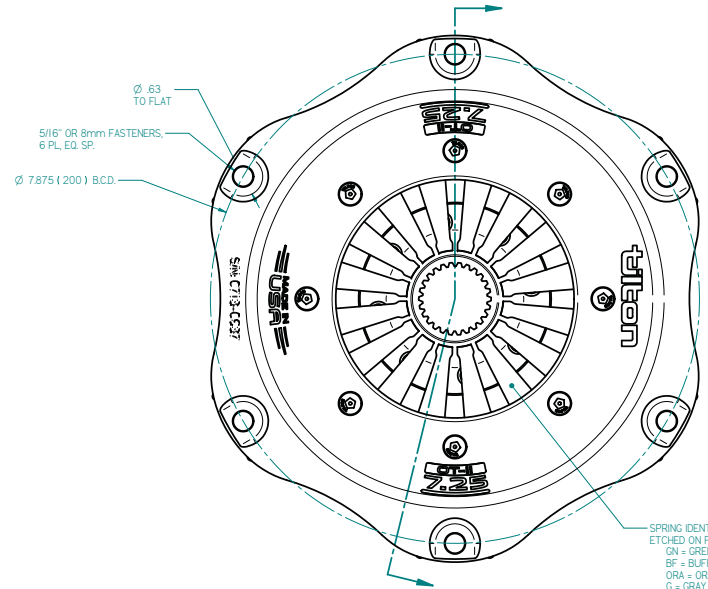
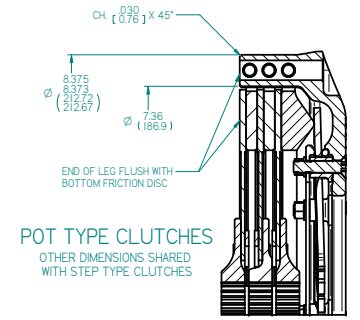
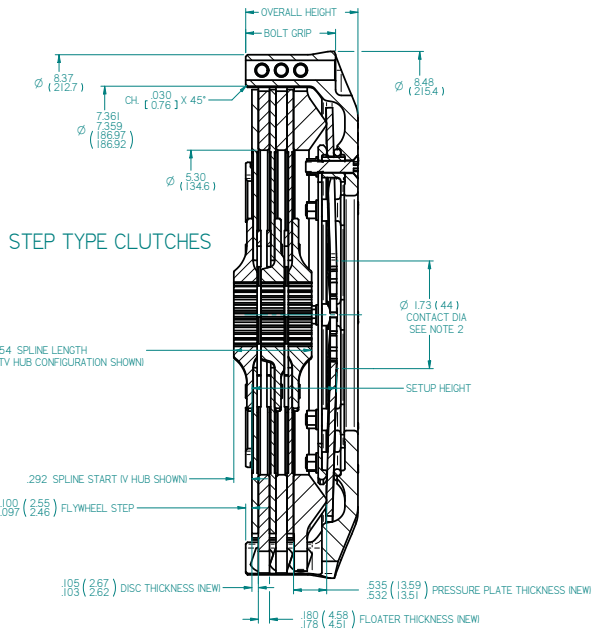


8	7	6	5	4	3	2	1
REV	ECN	DATE	BY	CHANGE OR ADDITION			



CLUTCH P/N	# OF DISCS	FLYWHEEL MOUNTING	SETUP HEIGHT (NEW)*		SETUP HEIGHT (WORN .03")*		BOLT GRIP		OVERALL HEIGHT	
			IN	MM	IN	MM	IN	MM	IN	MM
66-513HX	3	POT	1.370	34.80	1.520	38.61	1.346	34.19	1.706	43.33
66-503HX	3	STEP	1.370	34.80	1.520	38.61	1.446	36.73	1.806	45.87
66-514HX	4	POT	1.653	41.99	1.803	45.80	1.629	41.38	1.989	50.52
66-504HX	4	STEP	1.653	41.99	1.803	45.80	1.729	43.92	2.089	53.06

* SETUP HEIGHT VARIES SLIGHTLY WITH SPRING AND PRESSURE PLATE COMBINATIONS. SEE www.tiltonracing.com/TECHNICAL FOR MORE INFORMATION.

- NOTES:**
- PRIMARY DIMENSIONS ARE INCHES. SECONDARY DIMENSIONS (MM).
 - MUST BE USED WITH RADIUS FACED RELEASE BEARING. CONTACT DIAMETER RANGE FROM 44mm TO 52mm. 44mm CONTACT DIAMETER HIGHLY RECOMMENDED.
 - ILLUSTRATED WITH DISC PACK P/N: 64185-4-VTV-36. DISCS SOLD SEPARATELY.

TILTON ENGINEERING, INC. (805) 688-2353 FAX (805) 688-2745
25 EASY STREET P.O. BOX 1787 BUELLTON, CALIFORNIA 93427 USA

TITLE: INSTALLATION DRAWING
CLUTCH, METALLIC, HEAVY DUTY, OT-II 7.25"

DRN BY LUND	CHK'D WAHL	SCALE 1:1	DWG 6389	REV NC
P/N 66-5XXXX	DATE 8/4/2016	SHEET 1 OF 1		

*This document contains proprietary information of TILTON ENGINEERING, INC., and its receipt or possession does not convey the rights to reproduce, disclose its contents, or to manufacture, use or sell anything it may describe. Reproduction, disclosure, or use without specific written authorization of TILTON ENGINEERING, INC. is strictly forbidden.

