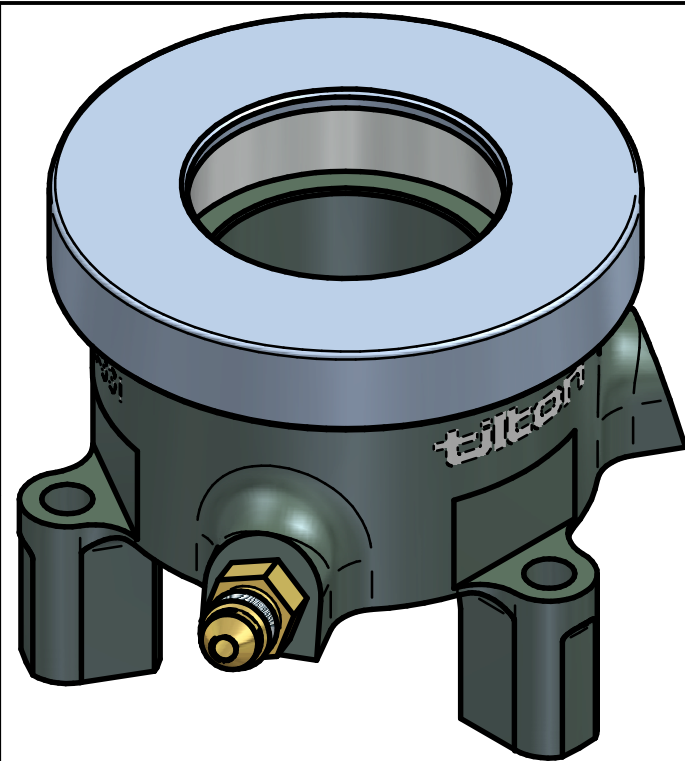


4

3

2

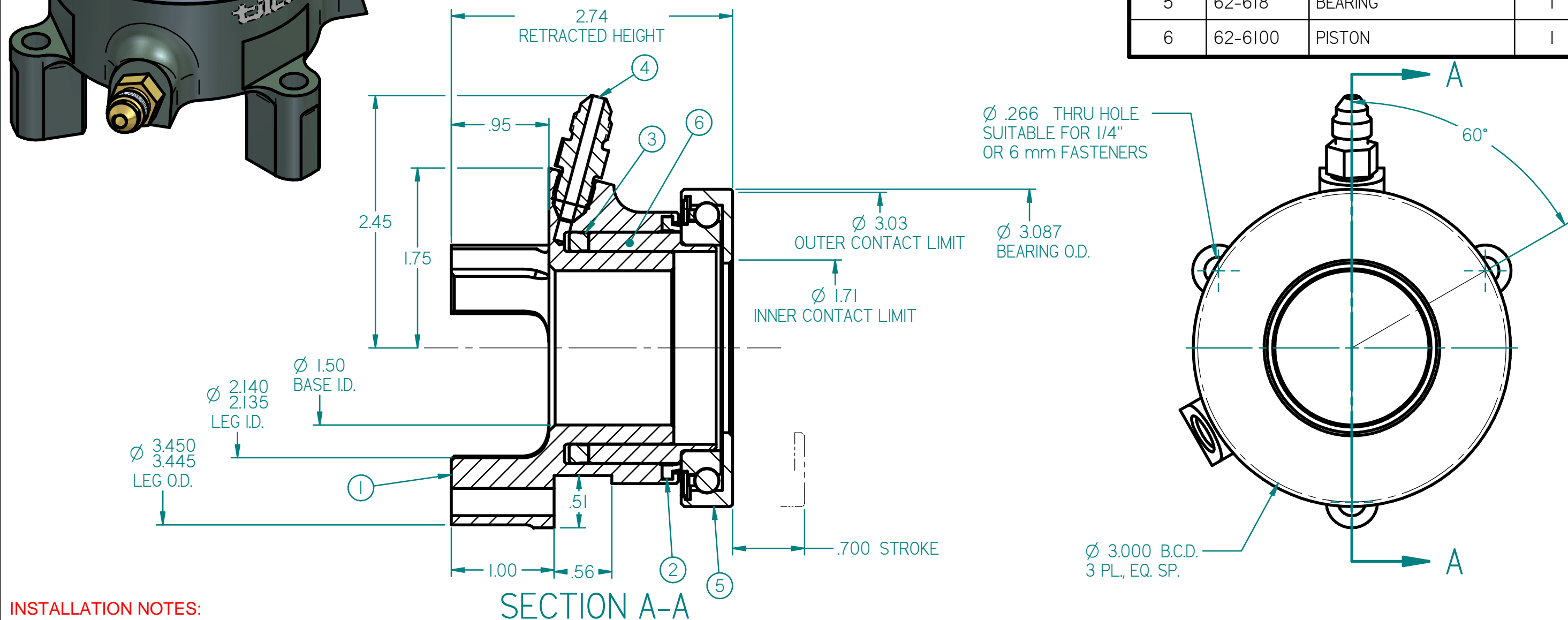
1



| ITEM | PART NUMBER | DESCRIPTION    | QTY |
|------|-------------|----------------|-----|
| 1    | 62-331      | HYDRAULIC BASE | 1   |
| 2    | 62-617      | WIPER SEAL     | 1   |
| 3    | 62-614      | HYDRAULIC SEAL | 1   |
| 4    | 73-820      | FITTING        | 2   |
| 5    | 62-618      | BEARING        | 1   |
| 6    | 62-6100     | PISTON         | 1   |

This document contains proprietary information of TILTON ENGINEERING, INC., and its receipt or possession does not convey the rights to reproduce, disclose its contents, or to manufacture, use or sell anything it may describe. Reproduction, disclosure, or use without specific written authorization of TILTON ENGINEERING INC. is strictly forbidden.

TILTON ENGINEERING, INC.



#### INSTALLATION NOTES:

1. USE ONLY WITH DOT-3 OR DOT-4 BRAKE FLUID.
2. NO INTERNAL TRAVEL LIMITER. MUST BE USED WITH CLUTCH PEDAL STOP.
3. SEAL REBUILD KIT = 62-905.
4. SEAL INSTALLATION TOOL = 96-002.
5. HYDRAULIC AREA = 1.215 SQ IN.
6. EITHER PORT MAY BE USED FOR FEED OR BLEED.
7. ORIENTATE BLEED PORT TO WITHIN 10 DEGREES OF TOP CENTER TO FACILITATE BLEEDING PROCESS.
8. BOTH PORTS 3/8-24 UNF X .28 THREAD DEPTH.

TILTON ENGINEERING, INC.

FAX 805/688-2745

25 EASY STREET, P.O. BOX 1787, BUELLTON, CA 93427 805/688-2353

TITLE: **HYDRAULIC RELEASE BEARING ASSEMBLY  
FLAT FACED BEARING, 3 LEG BASE**

DRAWN BY WAHL

CHKD LUND

SCALE 1:1

SIZE DWG

REV

P/N 60-3100

DATE 03/16/2012

SHEET 1 OF 1

B

5608

NC