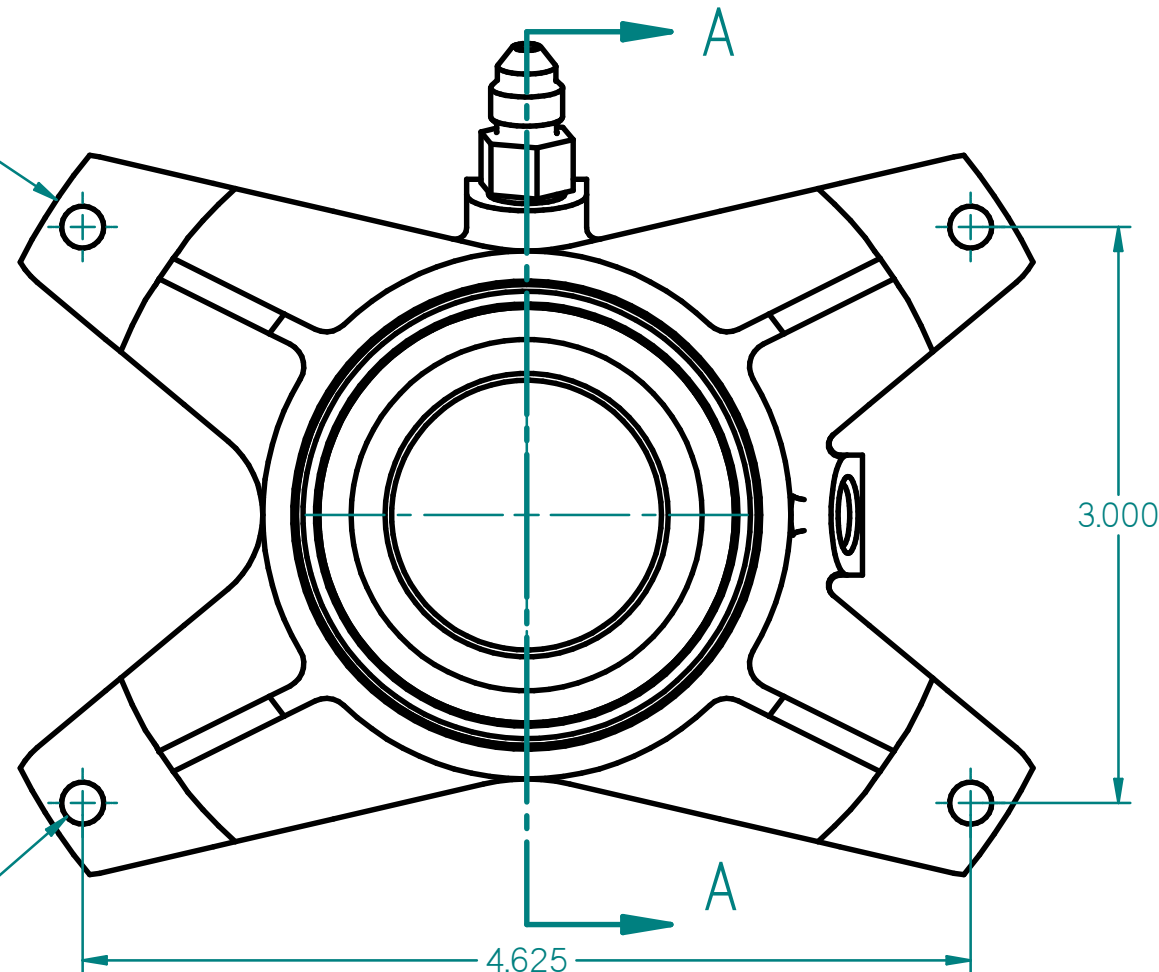
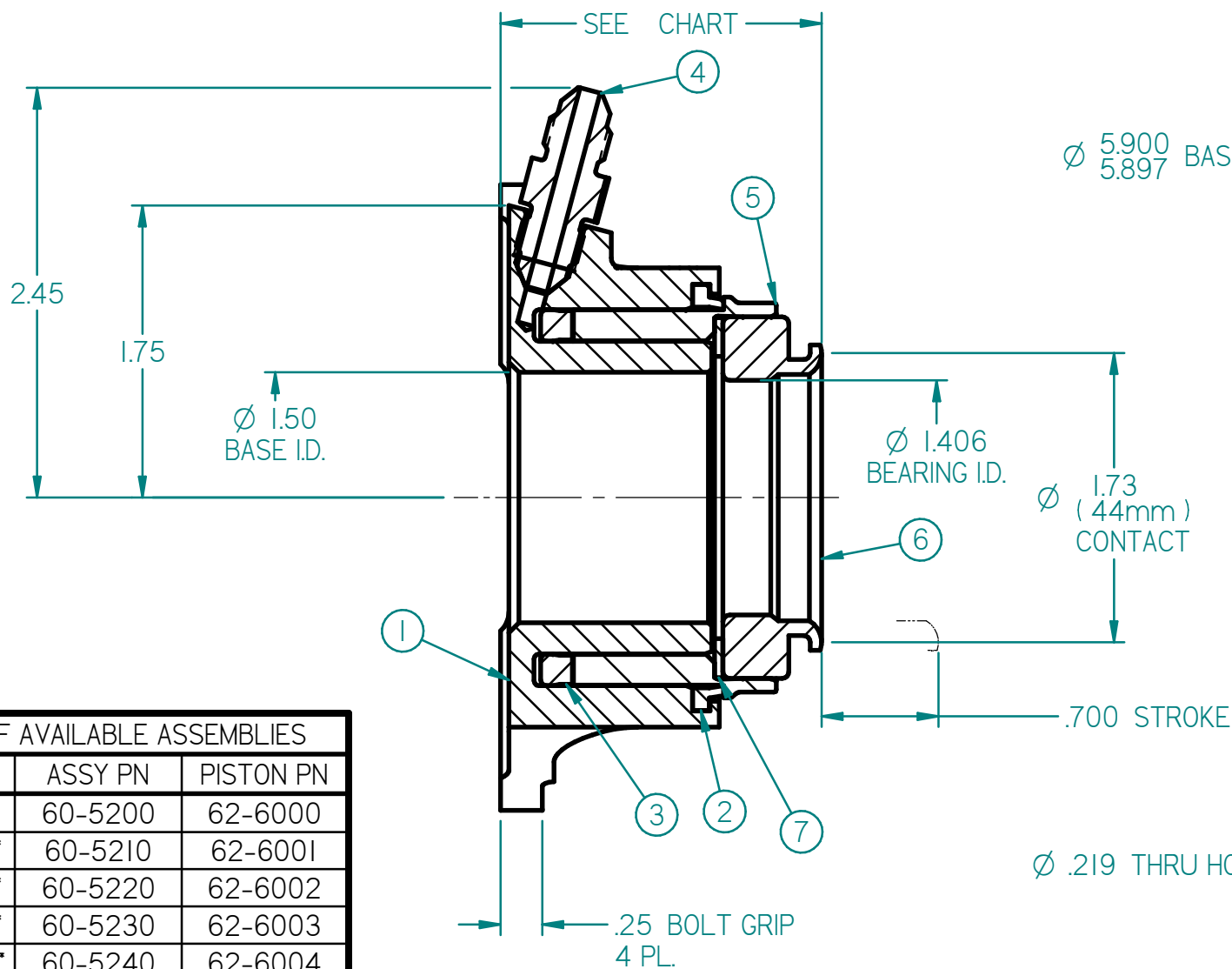


INSTALLATION NOTES:

1. USE ONLY WITH DOT-3 OR DOT-4 BRAKE FLUID.
2. NO INTERNAL TRAVEL LIMITER. MUST BE USED WITH CLUTCH PEDAL STOP.
3. SEAL REBUILD KIT = 62-905.
4. SEAL INSTALLATION TOOL = 96-002.
5. HYDRAULIC AREA = 1.215 SQ IN.
6. EITHER PORT MAY BE USED FOR FEED OR BLEED.
7. ORIENTATE BLEED PORT TO WITHIN 10 DEGREES OF TOP CENTER TO FACILITATE BLEEDING PROCESS.
8. UNIT IS SHIPPED WITH SHIM 62-903 (.050" THICK) INSTALLED UNDER THE BEARING WHICH MAY BE REMOVED FOR ADDITIONAL CLEARANCE.
9. BOTH PORTS 3/8-24 UNF X .28 THREAD DEPTH.

ITEM	PART NUMBER	DESCRIPTION	QTY
1	62-1503	HYDRAULIC BASE	1
2	62-617	WIPER	1
3	62-614	HYDRAULIC SEAL	1
4	73-820	FITTING, AN-3	2
5	SEE CHART	PISTON	1
6	62-031	BEARING	1
7	62-903	SHIM	1

This document contains proprietary information of TILTON ENGINEERING, INC., and its receipt or possession does not convey the rights to reproduce, disclose its contents, or to manufacture, use or sell anything it may describe. Reproduction, disclosure, or use without specific written authorization of TILTON ENGINEERING INC. is strictly forbidden.



HEIGHT	ASSY PN	PISTON PN
1.87"-1.92"	60-5200	62-6000
1.97"-2.02"	60-5210	62-6001
2.07"-2.12"	60-5220	62-6002
2.17"-2.22"	60-5230	62-6003
2.27"-2.32"	60-5240	62-6004
2.37"-2.42"	60-5250	62-6005
2.47"-2.52"	60-5260	62-6006
2.57"-2.62"	60-5270	62-6007
2.67"-2.72"	60-5280	62-6008
2.77"-2.82"	60-5290	62-6009

SECTION A-A

* HEIGHTS SHOWN IN CHART ARE WITH AND WITHOUT 62-903 SHIM

TILTON ENGINEERING, INC. FAX 805/688-2745
 25 EASY STREET, P.O. BOX 1787, BUELLTON, CA 93427 805/688-2353

TITLE: HYDRAULIC RELEASE BEARING ASSEMBLY
44 mm RADIUS FACED BEARING, TILTON BELLHOUSING MOUNT

DRAWN BY WAHL	CHKD LUND	SCALE 1:1	SIZE B	DWG 5611	REV NC
P/N SEE CHART	DATE 03/21/2012	SHEET 1 OF 1			

