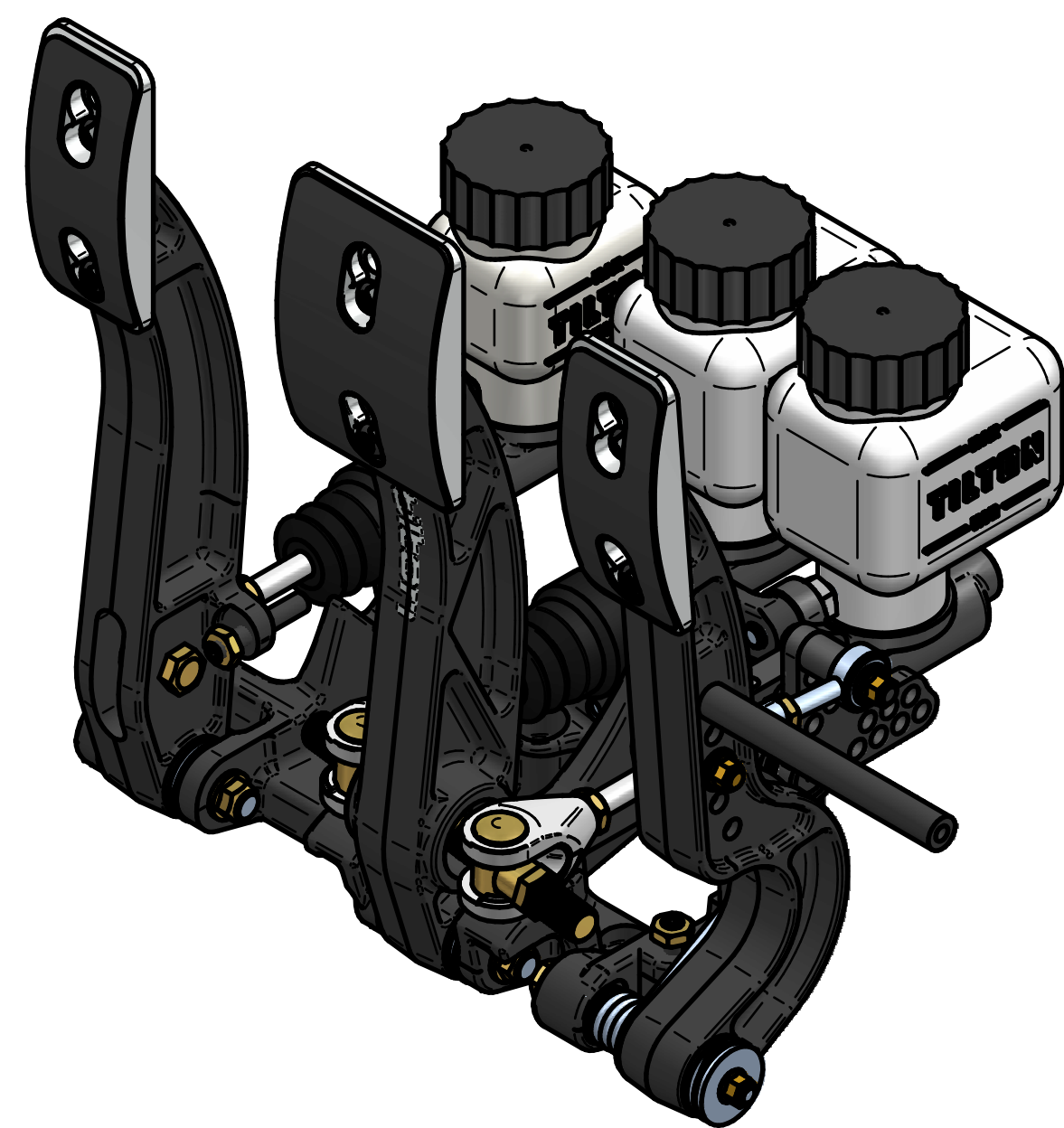
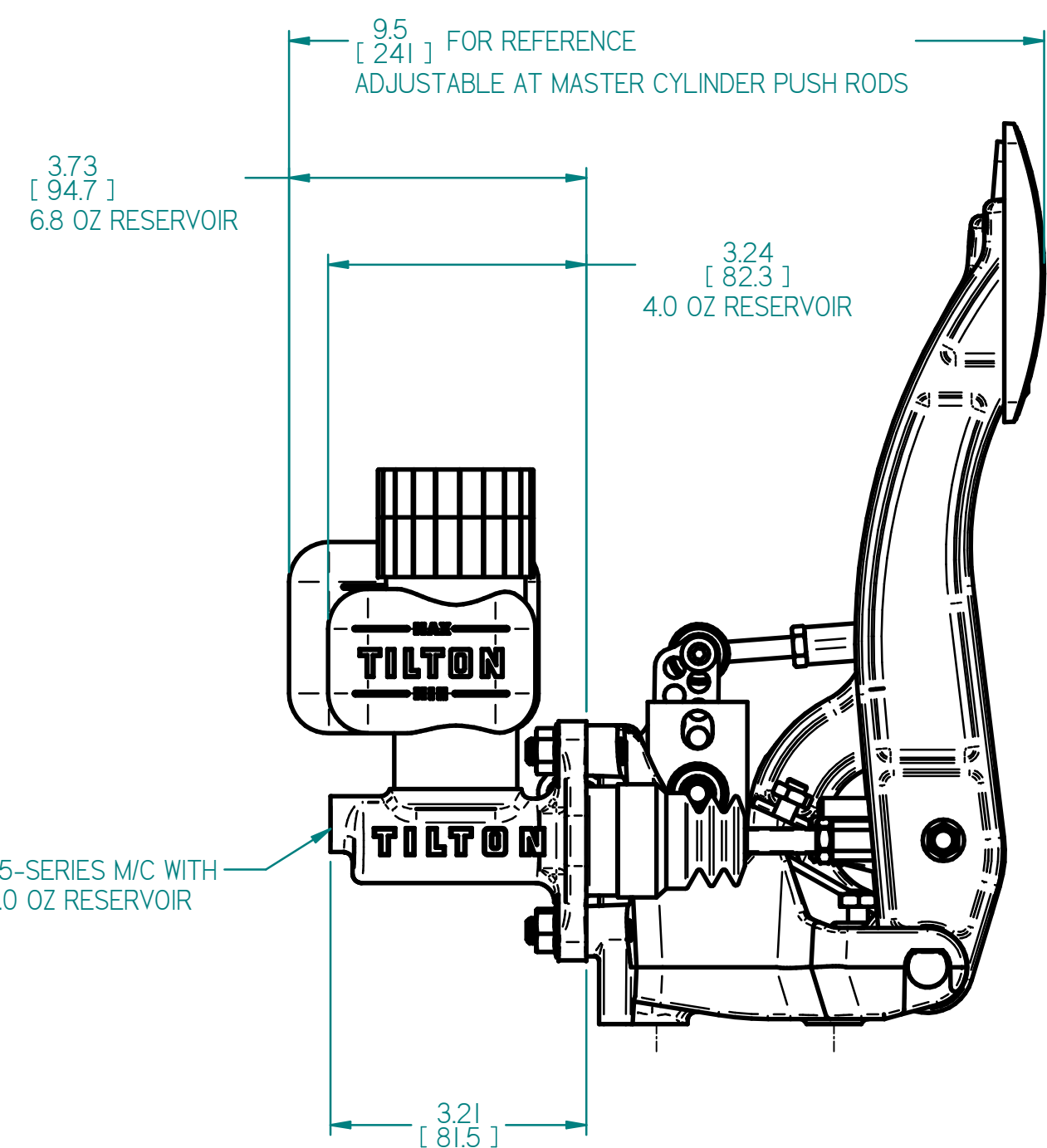
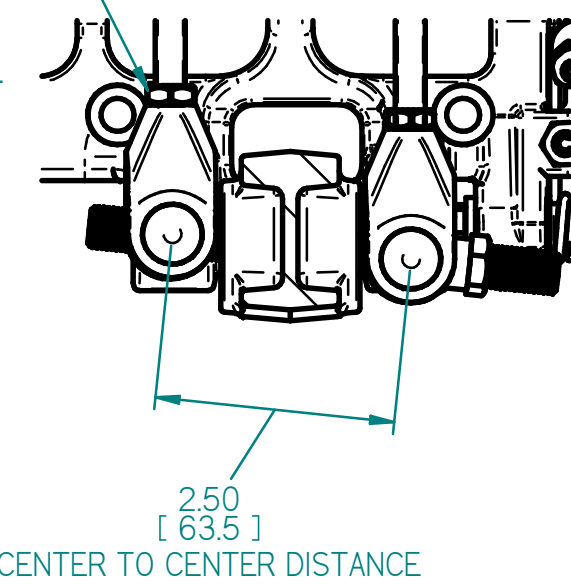


| REV | ECN  | DATE      | BY   | CHANGE OR ADDITION         |
|-----|------|-----------|------|----------------------------|
| A   | 1102 | 10/4/2013 | LUND | UPDATED WITH WIDE FOOT PAD |

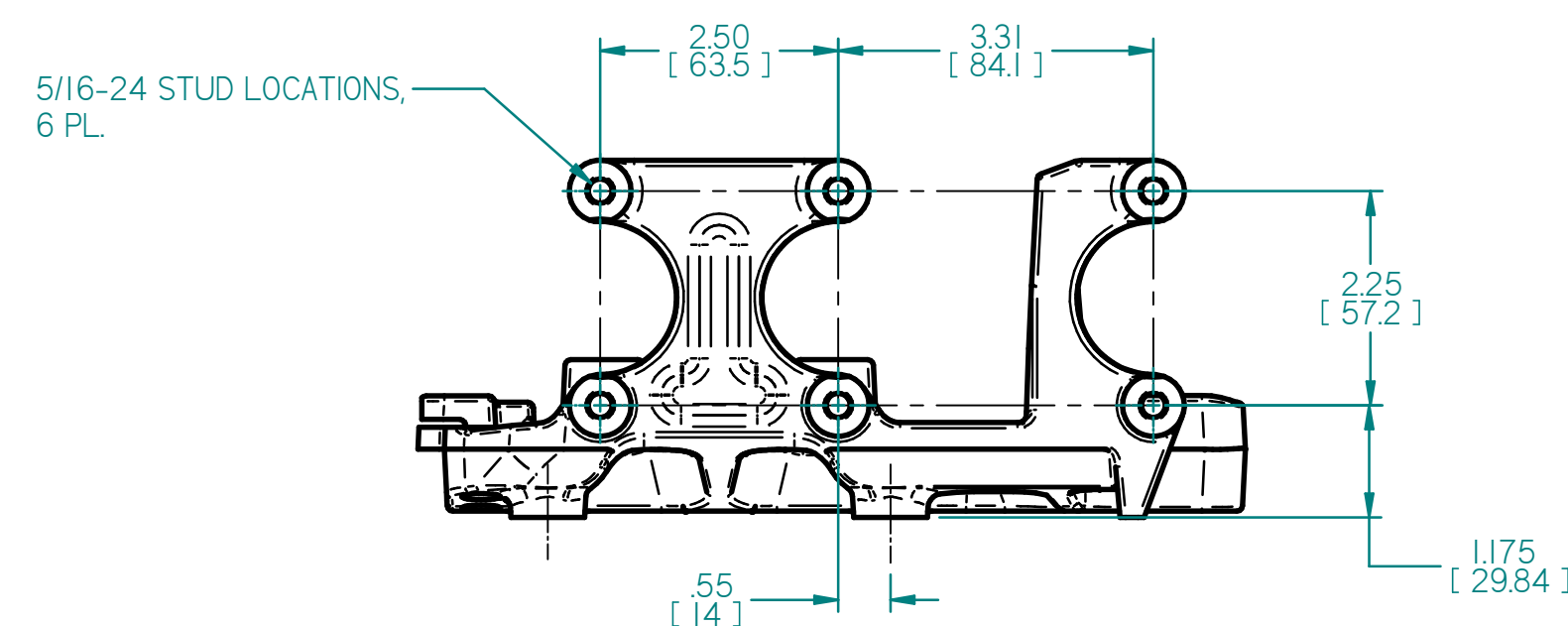
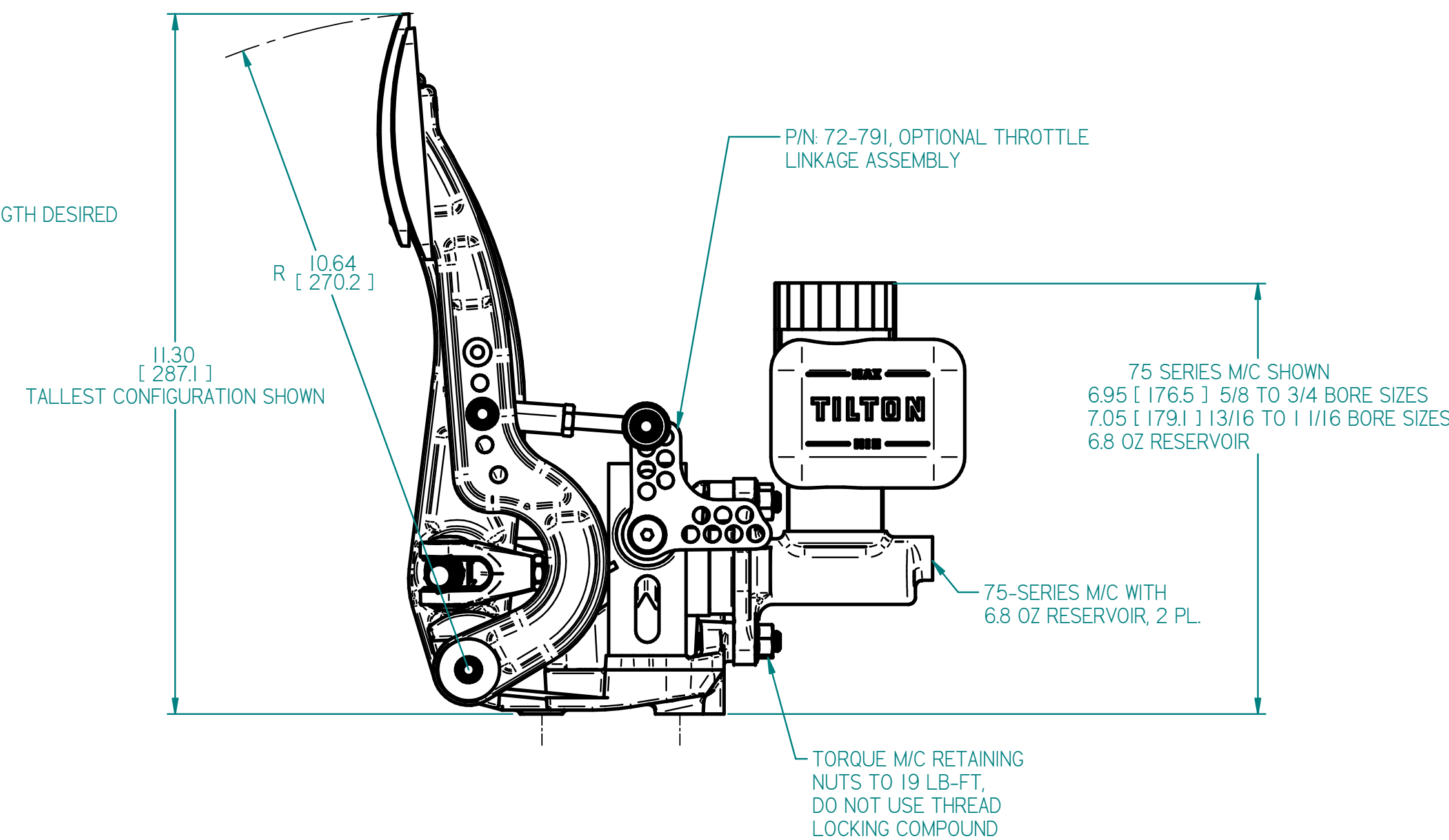
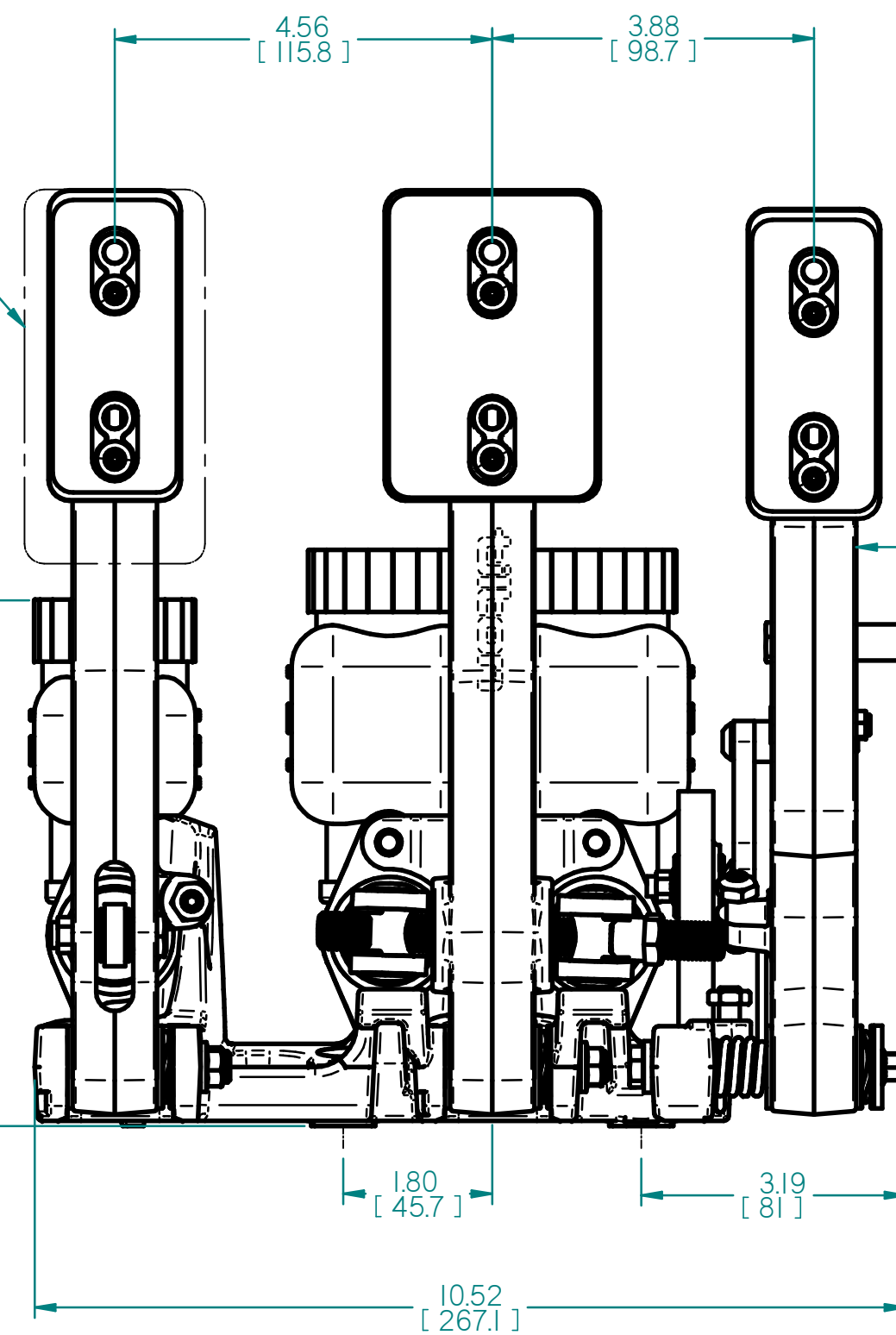


TORQUE PUSHROD  
JAM NUTS TO 144 LB-IN  
DO NOT USE THREAD  
LOCKING COMPOUND, 3 PL.

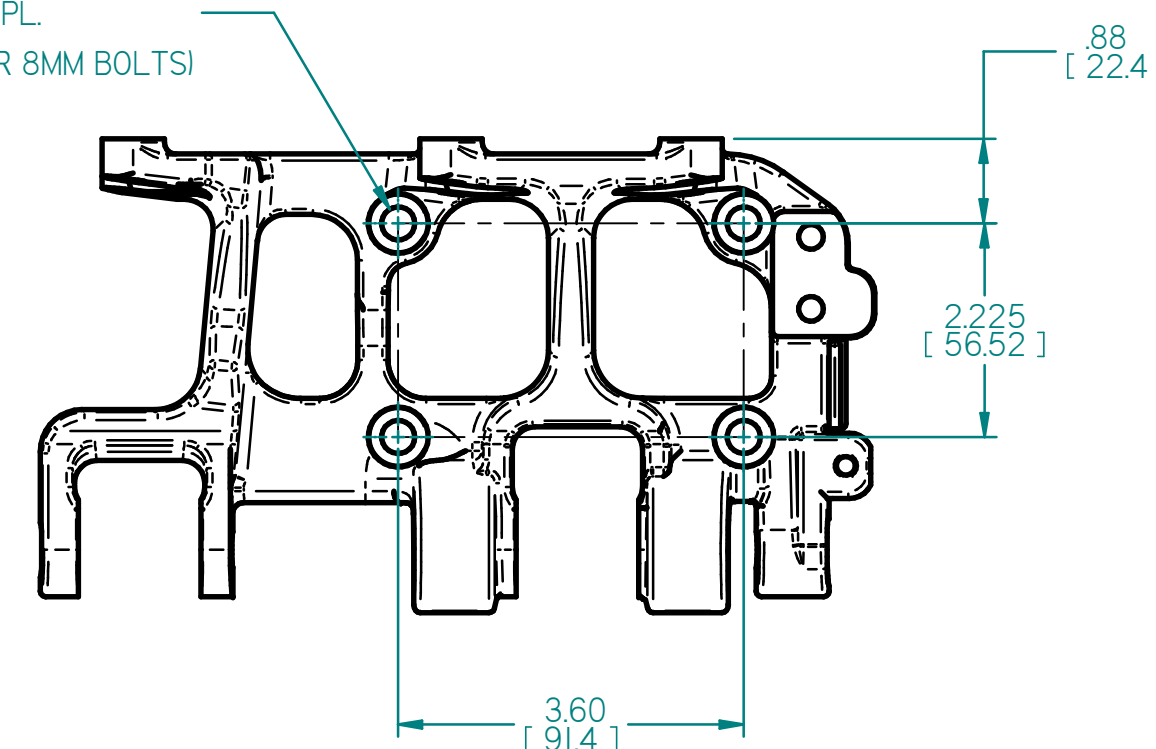


ALL PEDALS:  
75 (19.1mm) TOTAL HEIGHT ADJ., 4 POS.  
58 (14.7mm) TOTAL HORIZONTAL ADJ., 3 POS.

75 SERIES M/C SHOWN  
635 [161.3] 5/8 TO 3/4 BORE SIZES  
645 [163.8] 13/16 TO 1 1/16 BORE SIZES  
4.0 OZ RESERVOIR



Ø .34 [8.8] 4 PL.  
USE 5/16 OR 8MM BOLTS!



NOTES:

1. DIMENSIONS AND TOLERANCES PER ASME Y14.5 - 2009
2. UNLESS OTHERWISE SPECIFIED, ALL DIMENSIONS ARE IN INCHES [MM].

TILTON ENGINEERING, INC. (805) 688-2353 FAX (805) 688-2745  
25 EASY STREET P.O. BOX 1787 BUELLTON, CALIFORNIA 93427 USA

TITLE: PEDAL ASSEMBLY, 600-SERIES  
FLOOR MOUNT, 3 PEDAL, ALUMINUM (INSTALLATION DRAWING)

|             |               |              |          |       |
|-------------|---------------|--------------|----------|-------|
| DRN BY REED | CHKD WAHL     | SCALE 1:1    | DWG 5205 | REV A |
| P/N 72-603  | DATE 04/08/10 | SHEET 1 OF 1 |          |       |

"This document contains proprietary information of TILTON ENGINEERING, INC., and its receipt or possession does not convey the rights to reproduce, disclose its contents, or to manufacture, use or sell anything it may describe. Reproduction, disclosure, or use without specific written authorization of TILTON ENGINEERING, INC. is strictly forbidden."

**TILTON ENGINEERING** INC.