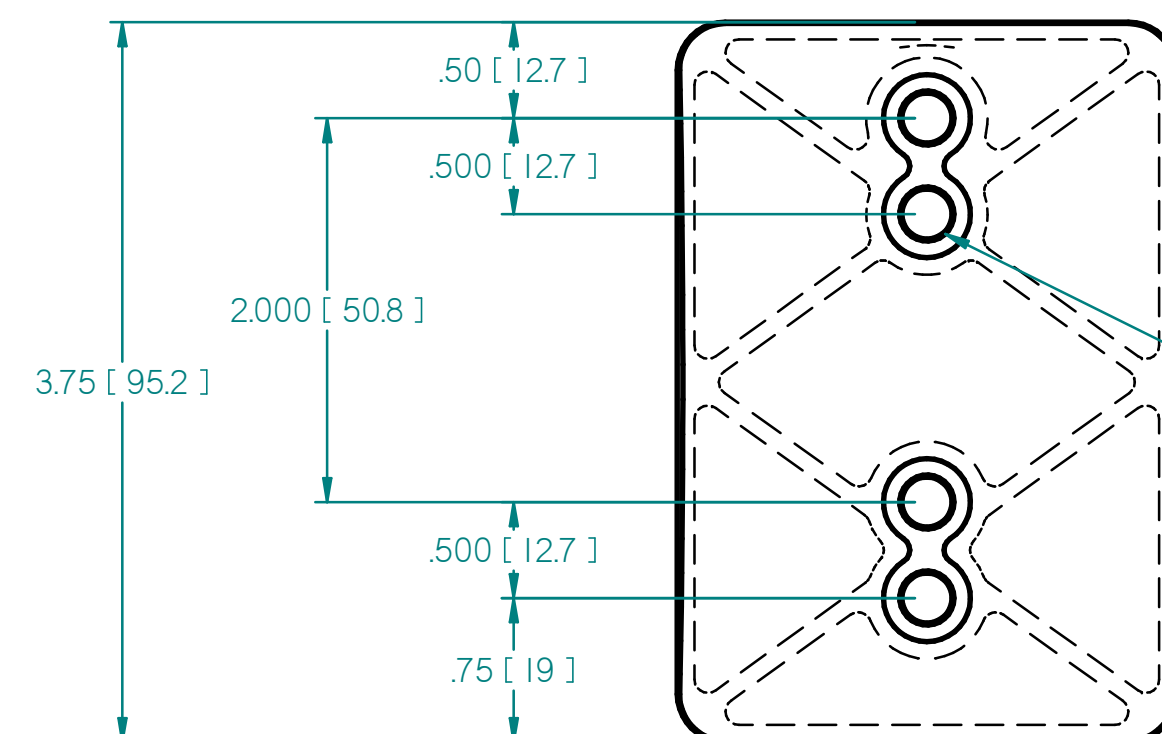
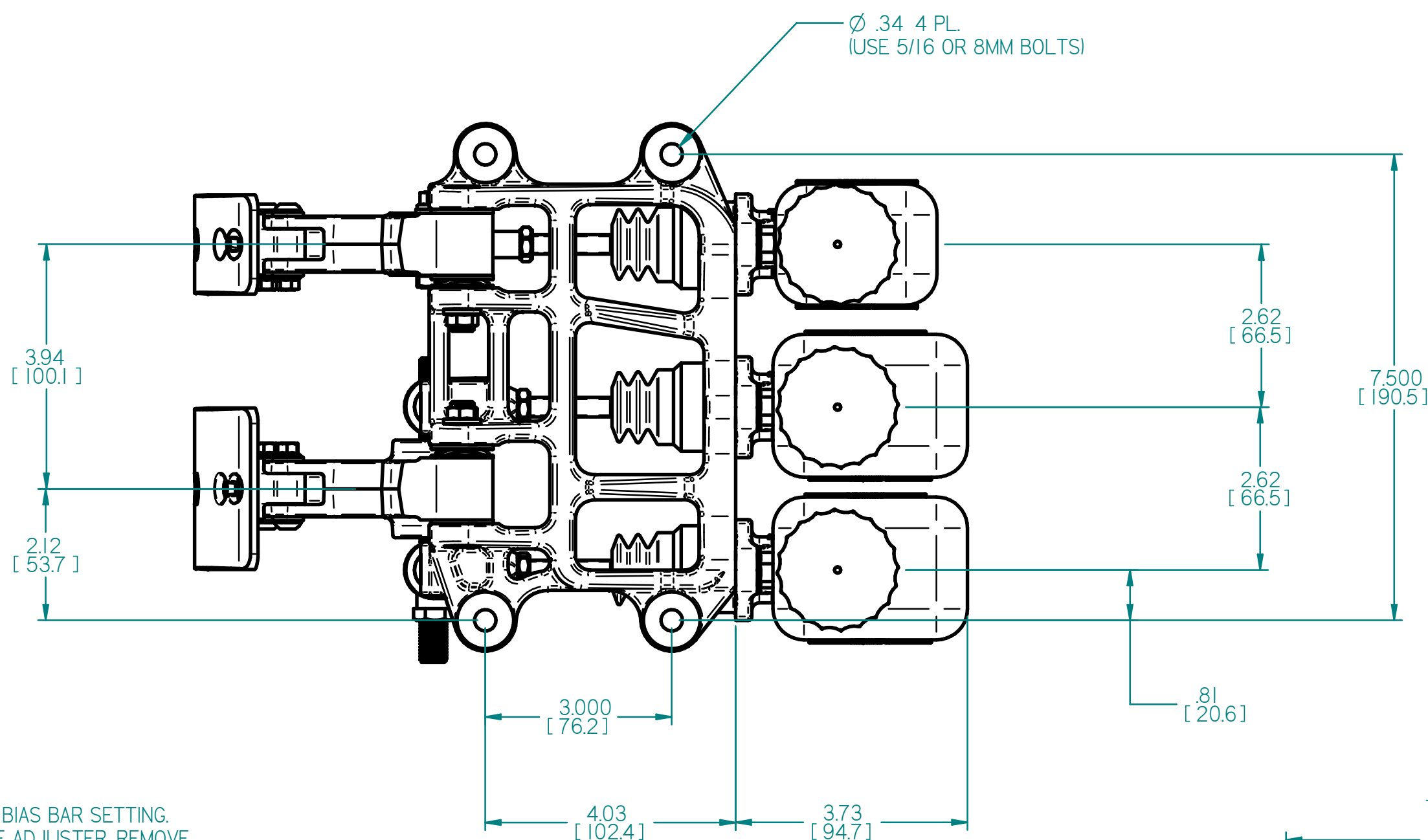


REV	ECN	DATE	BY	CHANGE OR ADDITION
NC	1050	04/08/2012	WAHL	INITIAL RELEASE
A	1102	10/04/2013	LUND	ADDED DUAL DIMENSIONS, CONNECTION BRACKET CLARIFICATION

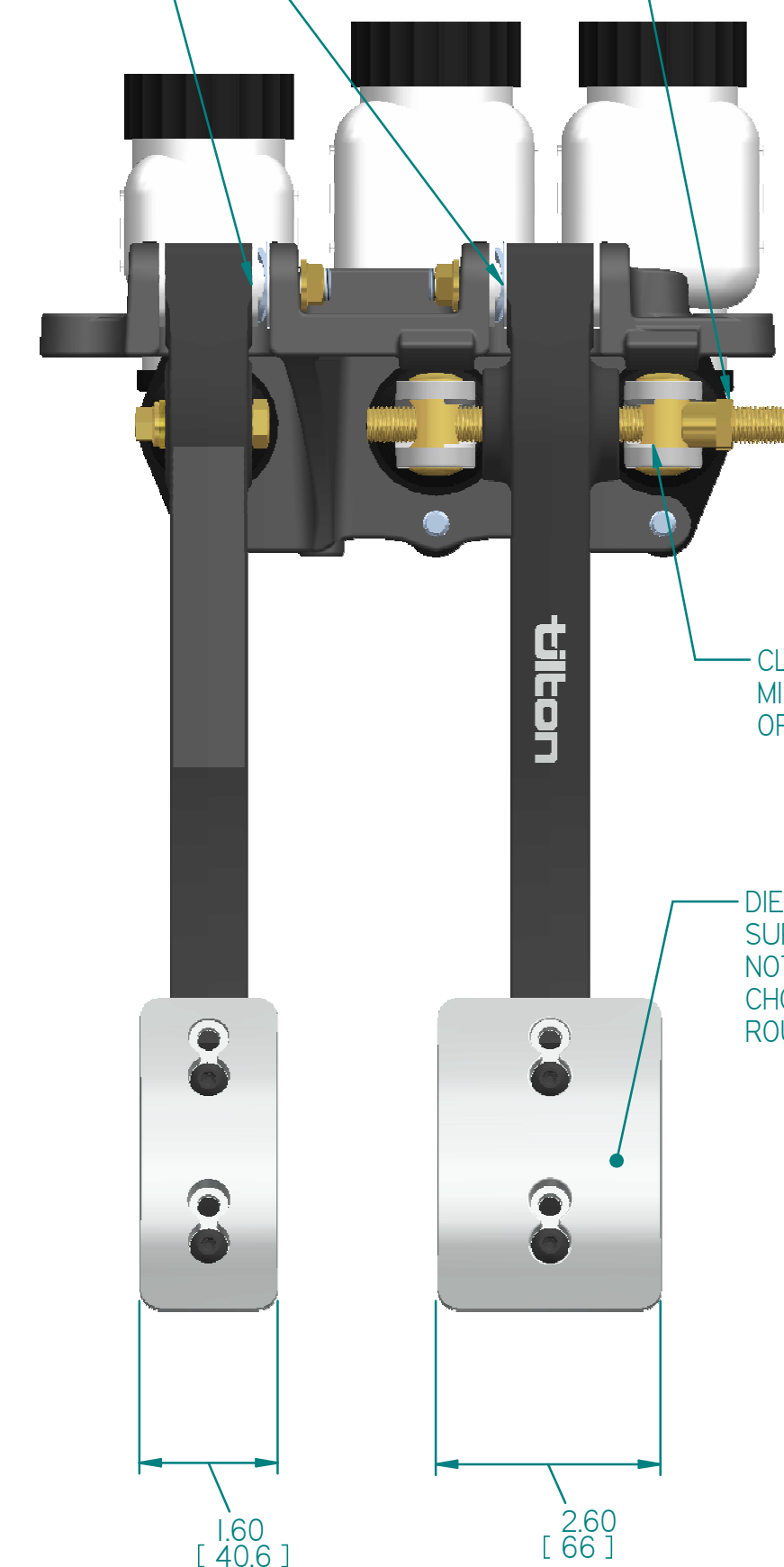


MULTIPLE MOUNT HOLES PROVIDE FOR VERTICAL PAD POSITION ADJUSTMENT. PART MAY BE ROTATED 180° FOR INCREASED ADJUSTMENT RANGE.

C

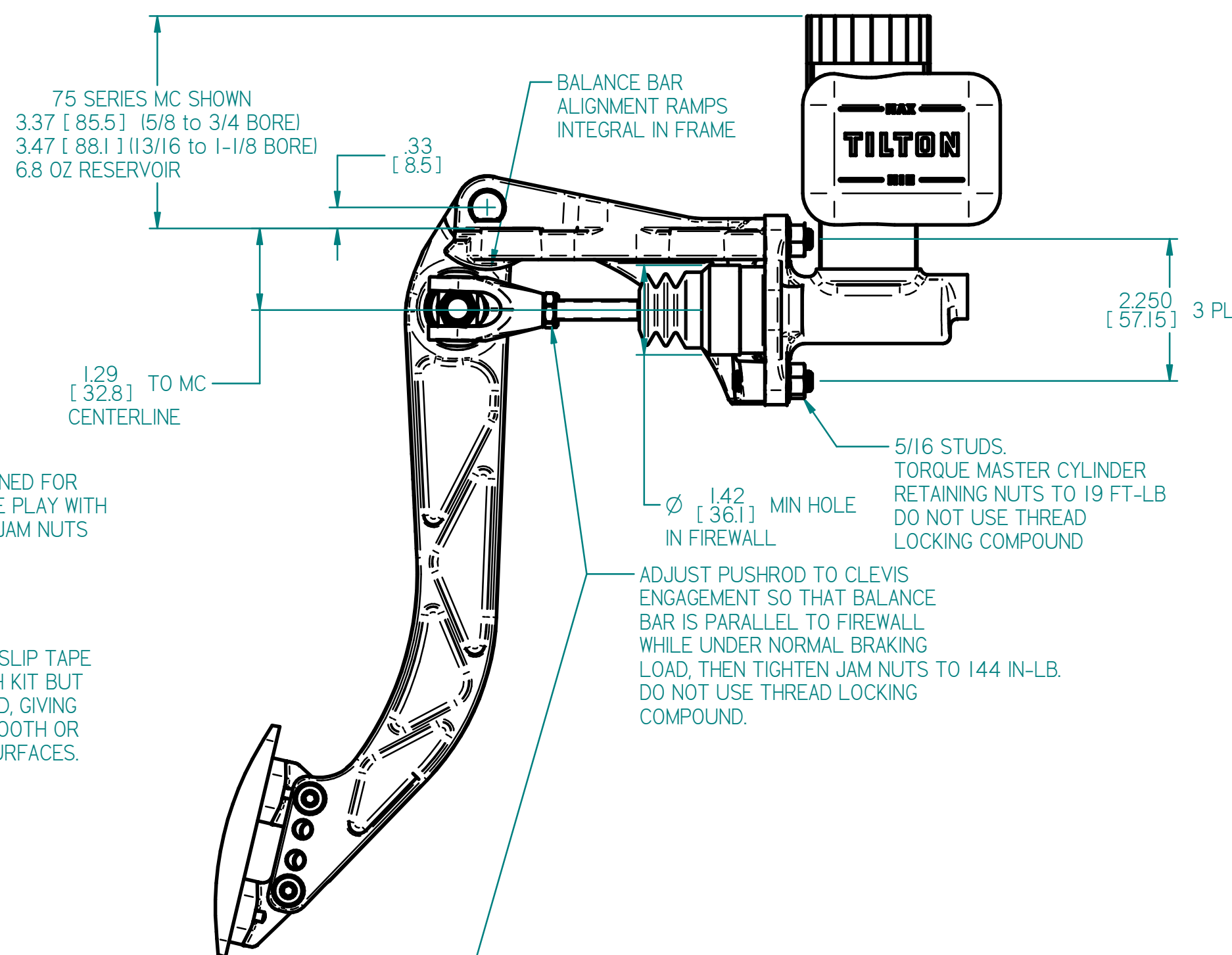
LOW FRICTION OIL-IMPREGNATED BUSHINGS ON PEDAL PIVOTS

JAM NUT SECURES BIAS BAR SETTING. FOR REMOTE CABLE ADJUSTER, REMOVE JAM NUT AND SECURE CABLE TO END OF BIAS BAR WITH CABLE COUPLER



CLEVIS DESIGNED FOR MINIMUM FREE PLAY WITH OR WITHOUT JAM NUTS

DIE-CUT ANTI-SLIP TAPE SUPPLIED WITH KIT BUT NOT INSTALLED, GIVING CHOICE OF SMOOTH OR ROUGH PAD SURFACES.

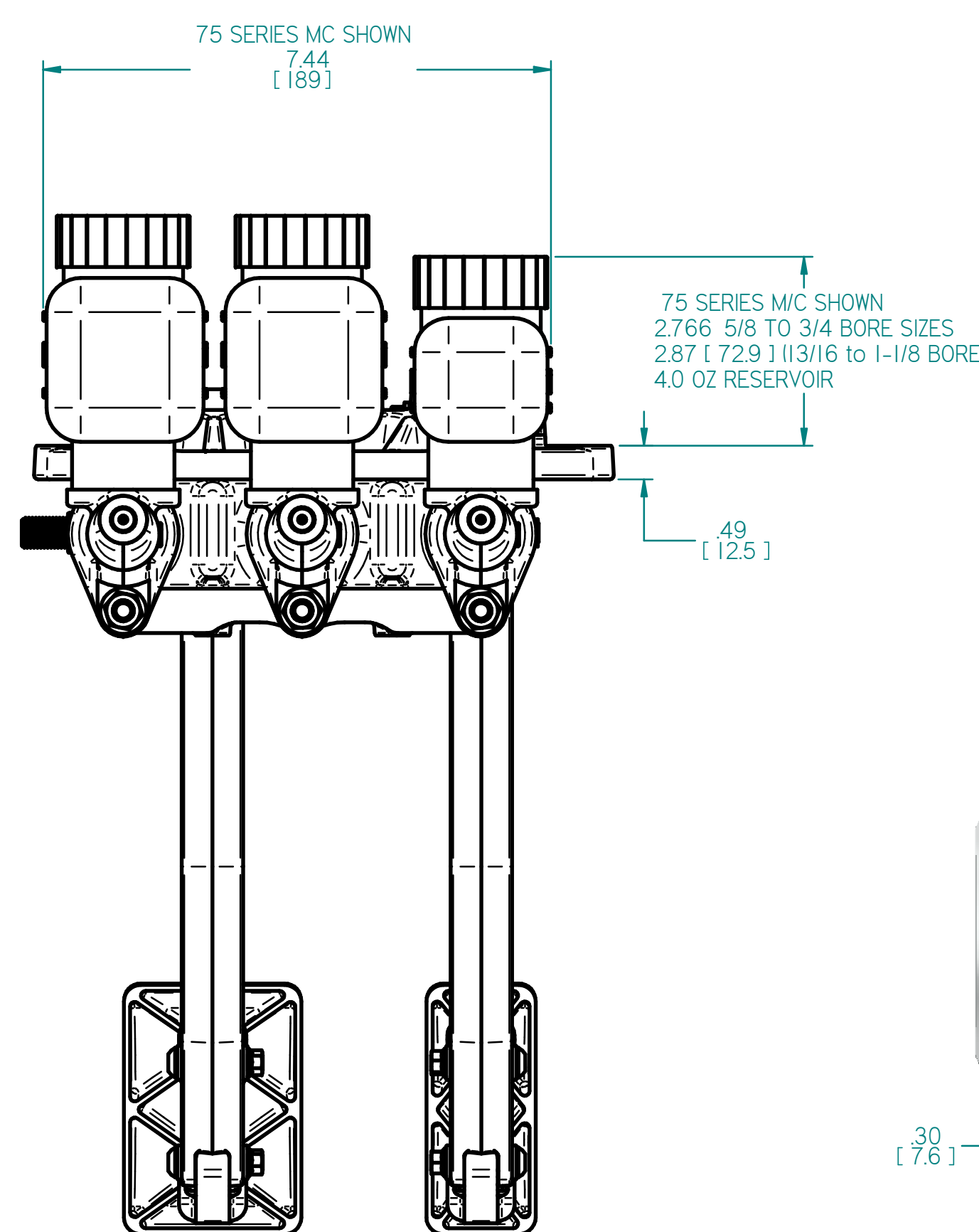


SET TO 2.62 ±0.05 [66.7 ±1.3]

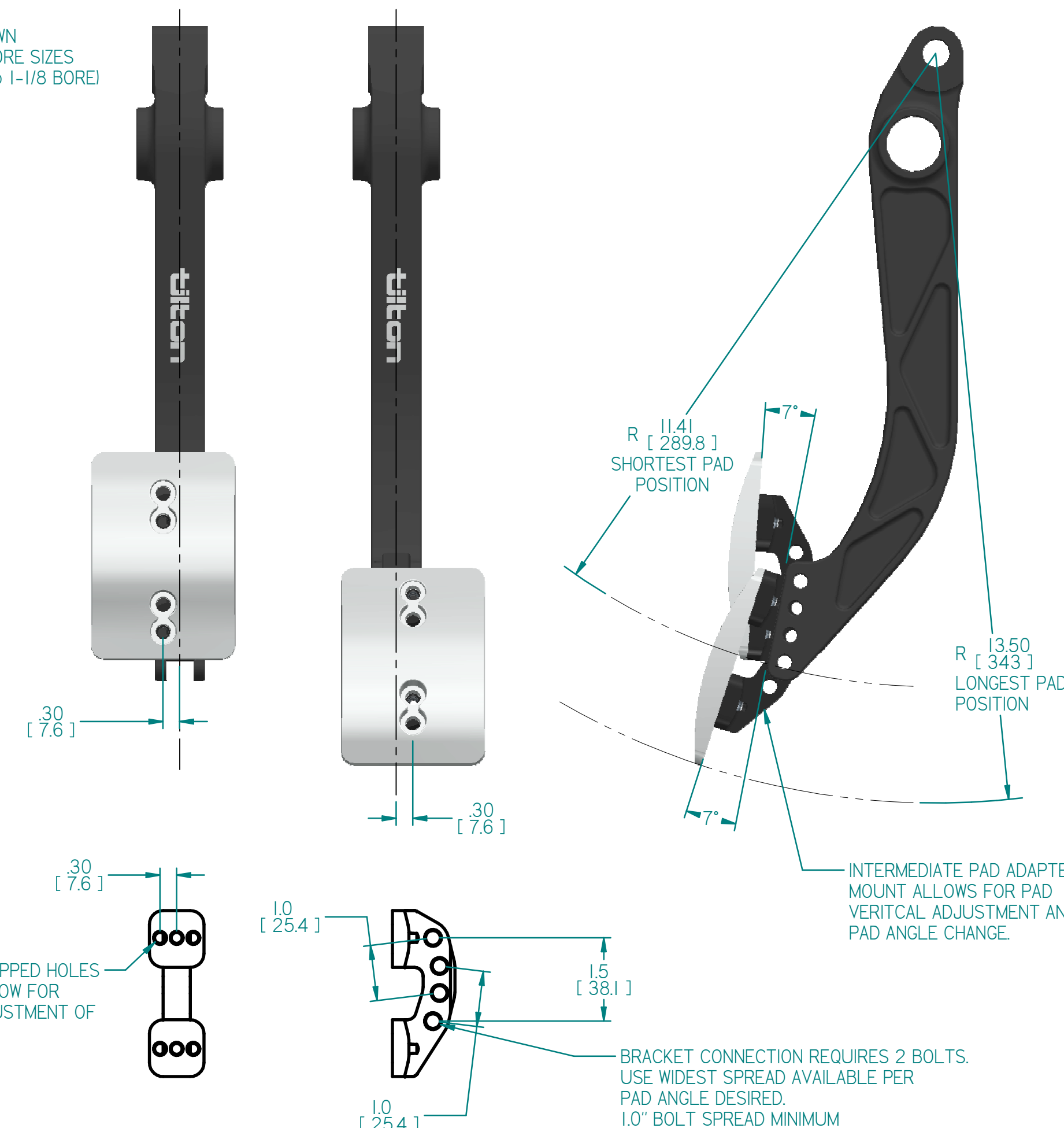
LOW FRICTION DRY LUBE AND HARD COATING ON CLEVISES

1/4-20 UNC AUXILIARY MOUNTING HOLES

DO NOT EXCEED 3 DEGREES OF PUSHROD ANGULARITY DURING STROKE OF PEDALS. PREMATURE MASTER CYLINDER WEAR MAY OCCUR.



PEDAL RATIO WILL VARY FROM 5.0:1 TO 6.2:1 BASED ON PEDAL PAD POSITION.



NOTES:

1. DIMENSIONS AND TOLERANCES PER ASME Y14.5 - 2009
2. UNLESS OTHERWISE SPECIFIED, ALL DIMENSIONS ARE IN INCHES [MM].
3. DIMENSIONS ARE NOMINAL.

PEDAL ASSEMBLY IS COMPATIBLE WITH TILTON ENGINEERING 73, 74, 75 OR 76 SERIES MASTER CYLINDERS SOLD SEPARATELY

75 SERIES MASTER CYLINDERS SHOWN HERE ARE FOR ILLUSTRATION PURPOSES ONLY AND ARE NOT INCLUDED WITH PEDAL ASSEMBLY

TILTON ENGINEERING, INC.		(805) 688-2353 FAX (805) 688-2745	
25 EASY STREET P.O. BOX 1787 BUELLTON, CALIFORNIA 93427 USA			
TITLE: PEDAL ASSEMBLY INSTALLATION DRAWING			
TWO PEDAL, THREE CYLINDER, FIREWALL MOUNT, ALUMINUM			
DRN BY EVS	CHKD WAHL	SCALE 1:2	DWG 5054
P/N 72-607	DATE 03/09/2006	SHEET 1 OF 1	REV A

"This document contains proprietary information of TILTON ENGINEERING, INC., and its receipt or possession does not convey the rights to reproduce, disclose its contents, or to manufacture, use or sell anything it may describe. Reproduction, disclosure, or use without specific written authorization of TILTON ENGINEERING, INC. is strictly forbidden."

TILTON ENGINEERING INC.