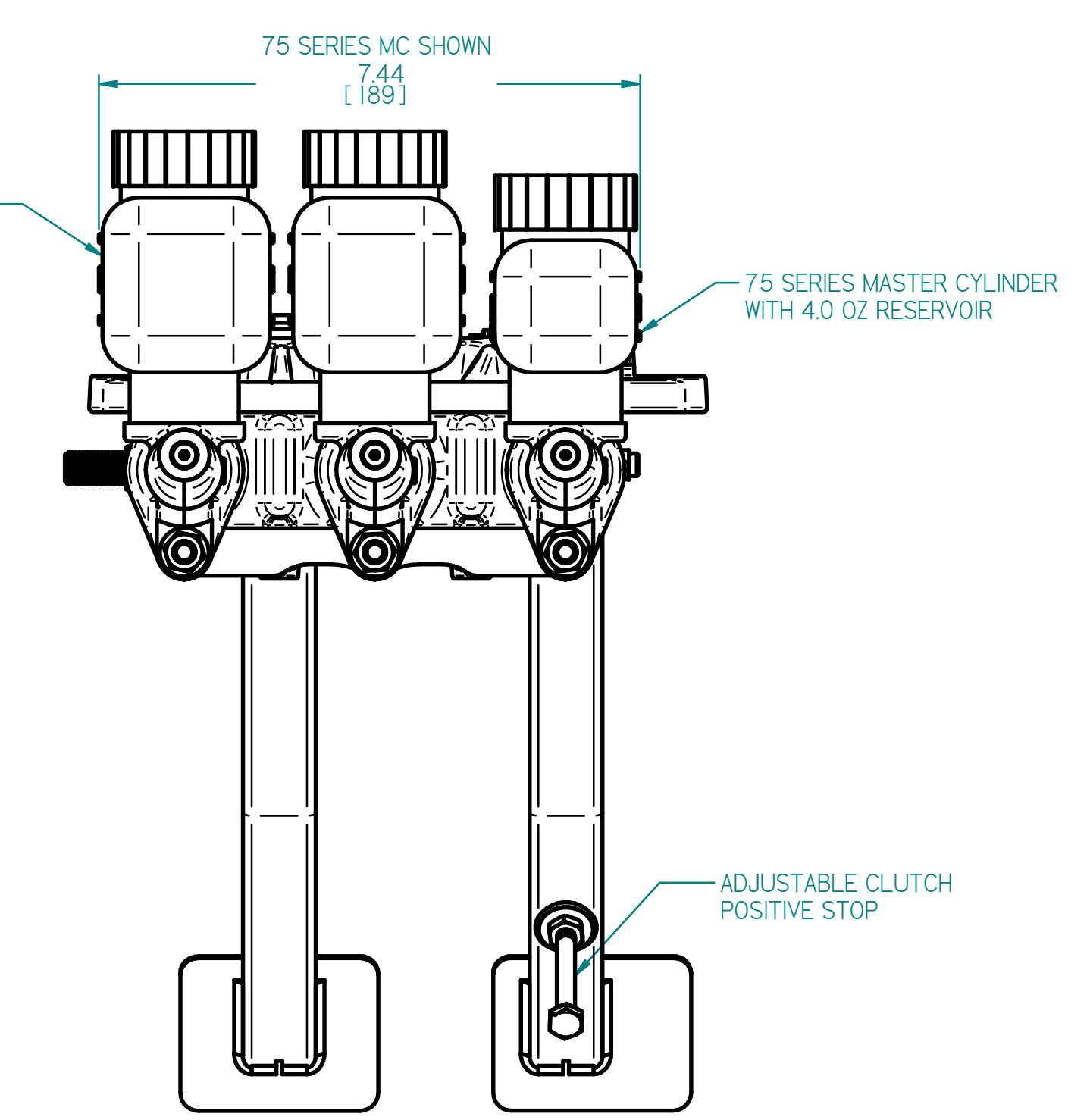
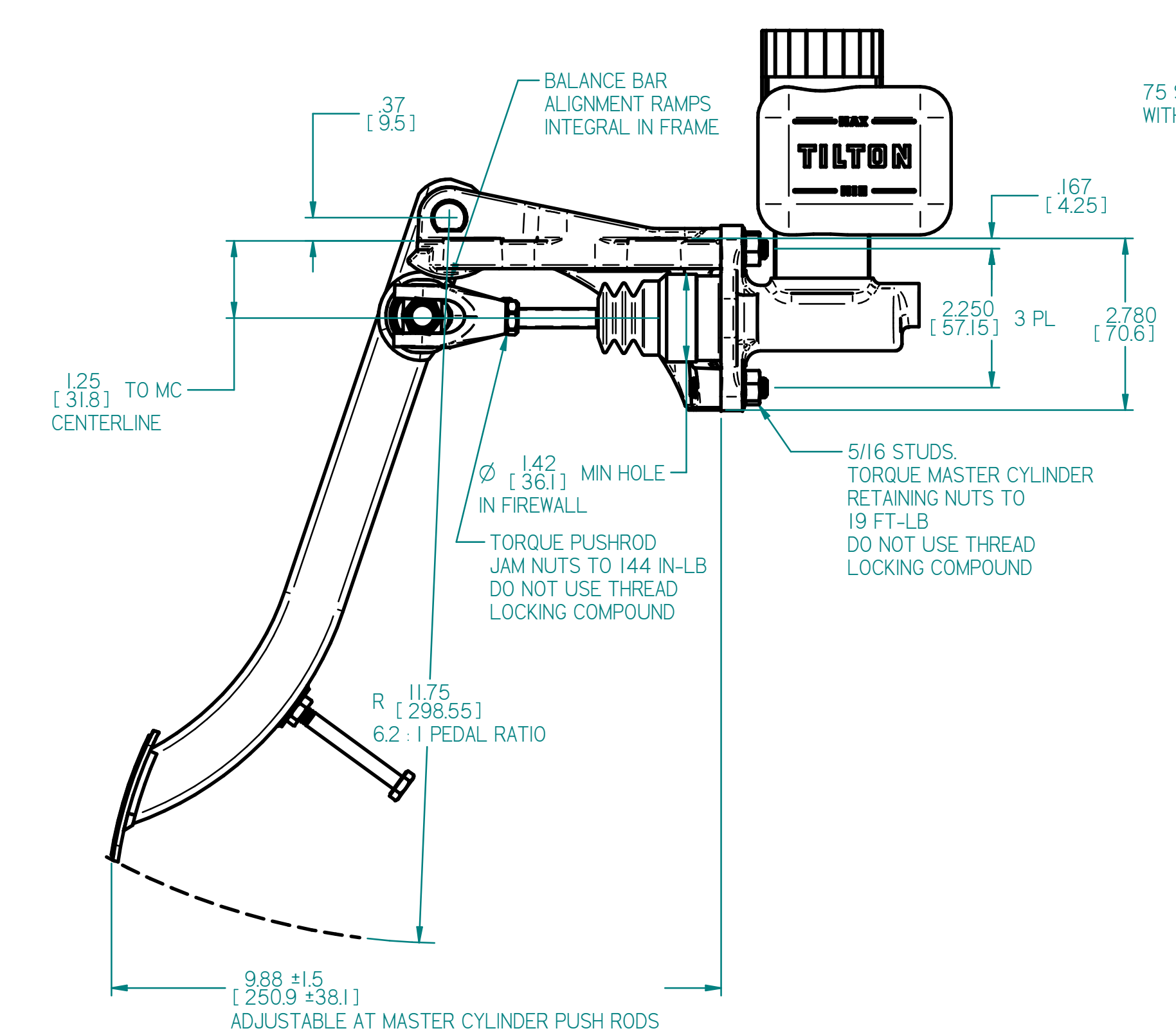
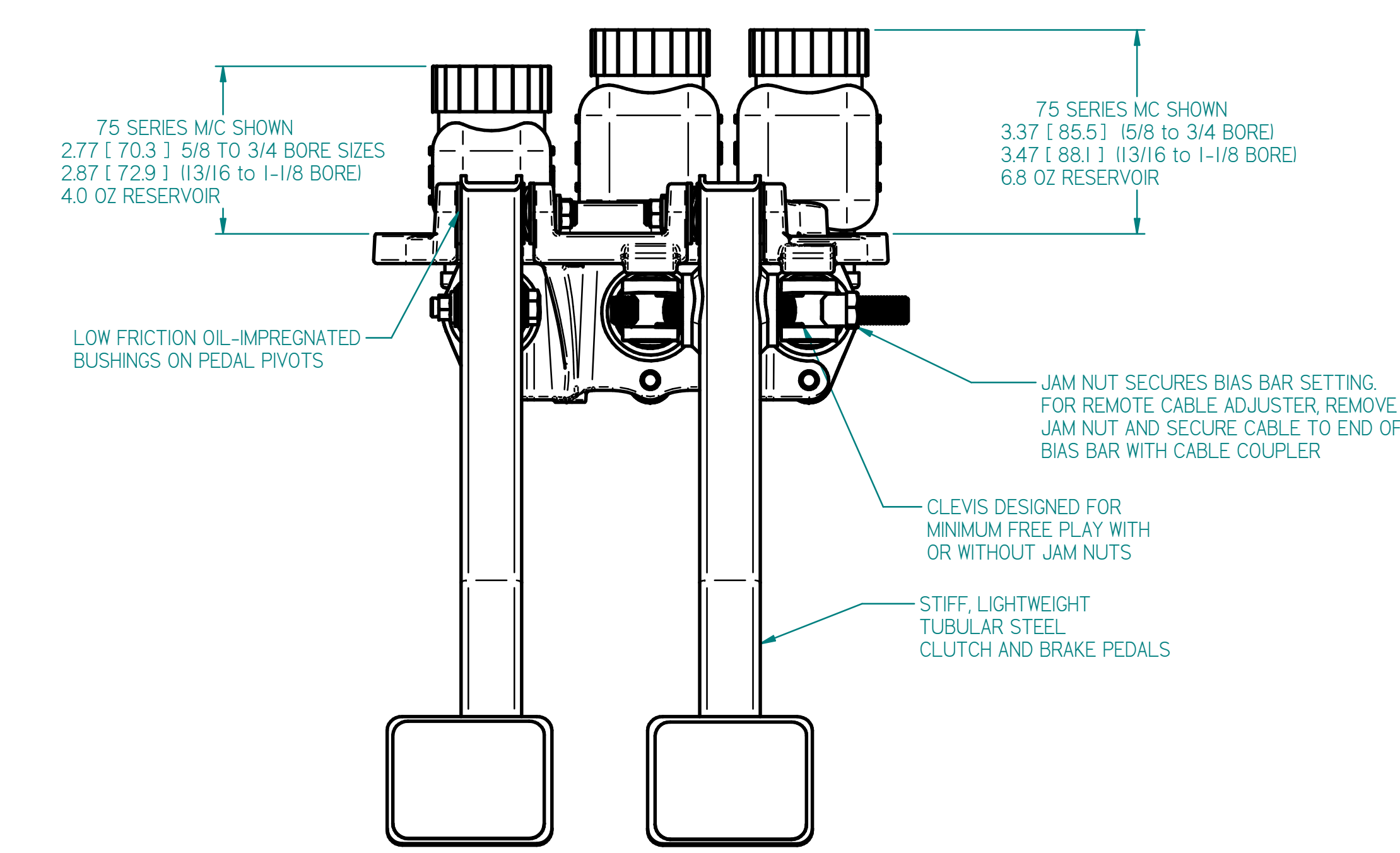
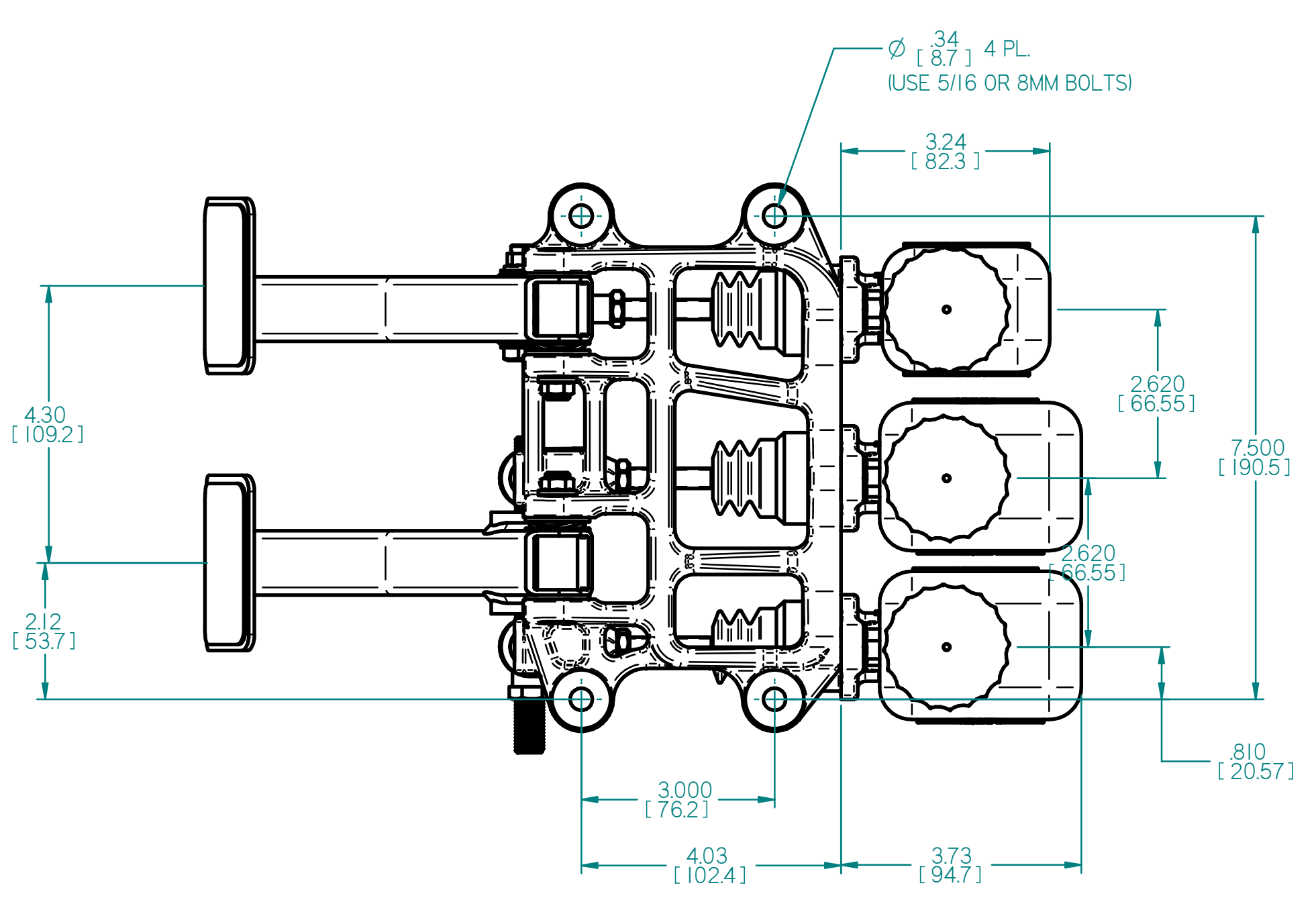
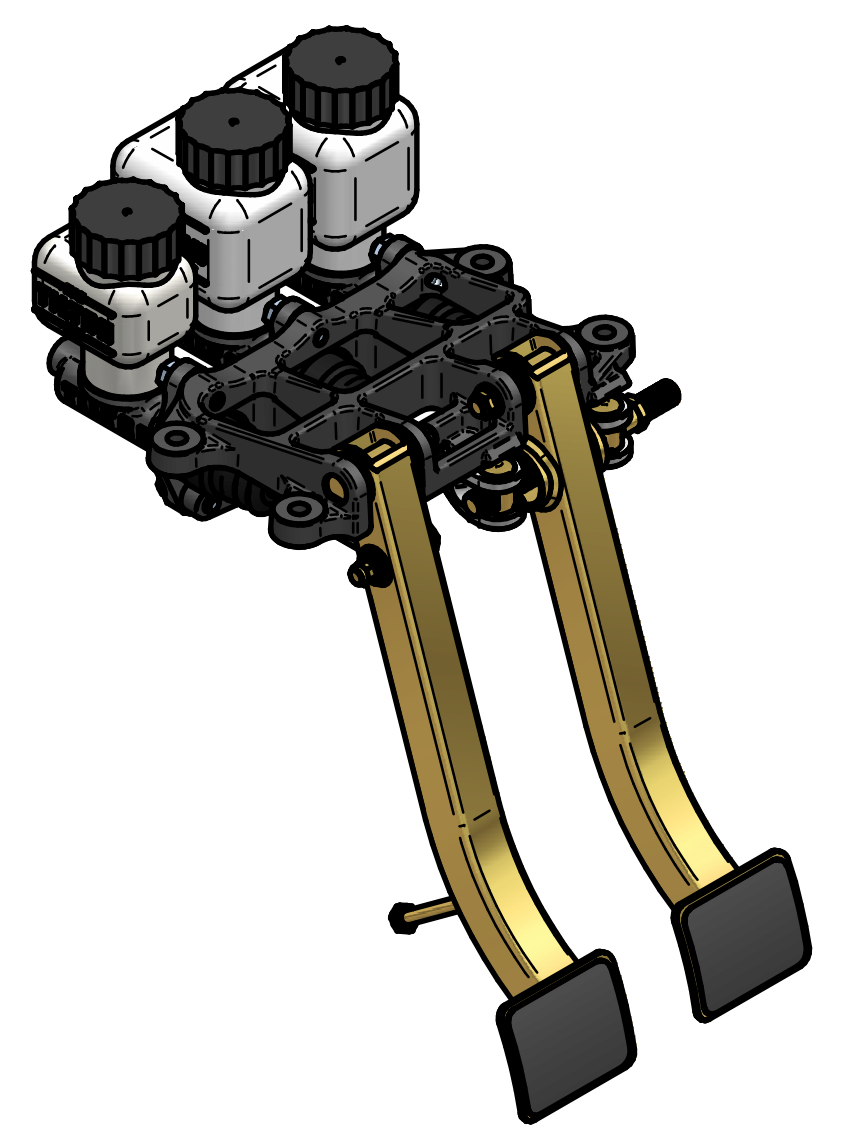
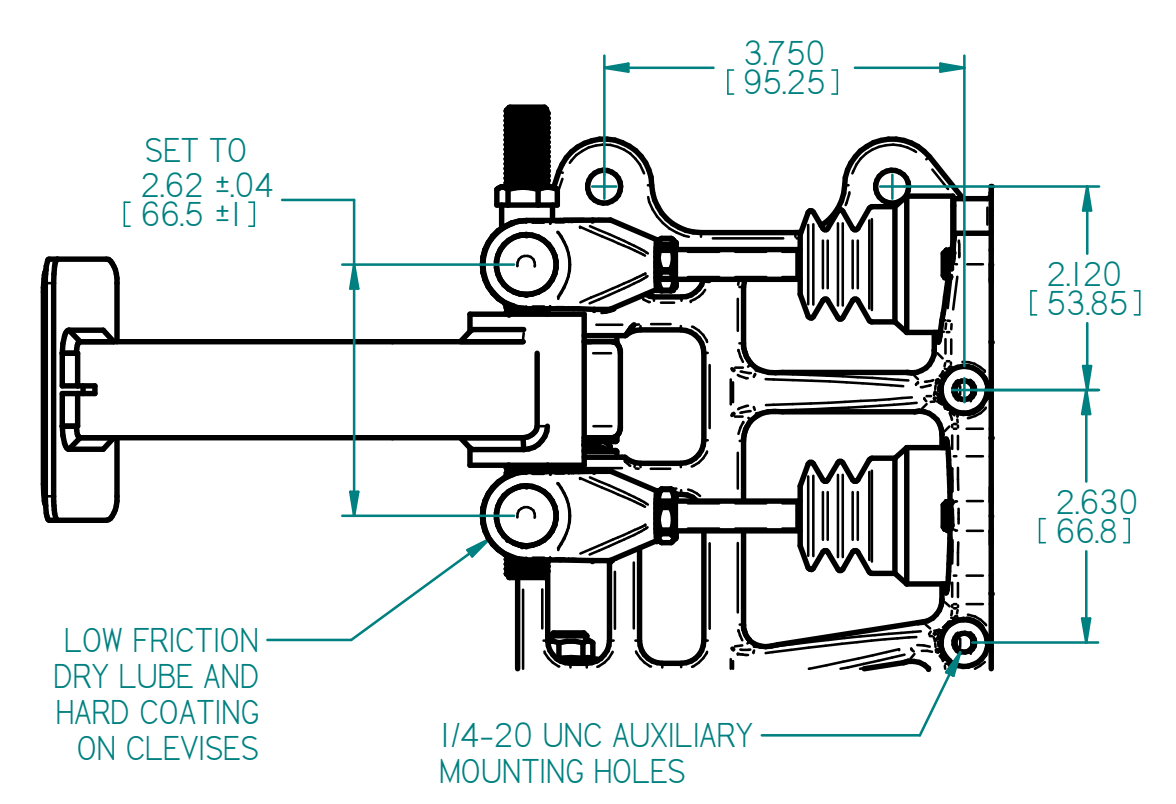


| ZONE | CHK'D | DATE | REV | ECN | CHANGE OR ADDITION |
|------|-------|-----------|-----|------|-----------------------|
| ALL | LUND | 10/4/2013 | A | 1102 | ADDED DUAL DIMENSIONS |



PEDAL ASSEMBLY IS COMPATIBLE WITH TILTON ENGINEERING 73, 74, 75 AND 76 SERIES MASTER CYLINDERS, SOLD SEPARATELY.
75 SERIES MASTER CYLINDERS SHOWN HERE ARE FOR ILLUSTRATION PURPOSES AND ARE NOT INCLUDED WITH PEDAL ASSEMBLY.



- NOTES:
1. UNLESS OTHERWISE SPECIFIED, ALL DIMENSIONS ARE INCHES [MM].
2. DIMENSIONS ARE NOMINAL
3. WEIGHT : 4.55 LBS

| | | | |
|--|---------------|---|----------|
| TILTON ENGINEERING, INC. (805)688-2353 FAX (805)688-2745 | | 25 EASY STREET P.O. BOX 1787 BUELLTON, CALIFORNIA 93427 USA | |
| TITLE: INSTALLATION DRAWING | | 600 SERIES FIREWALL STEEL PEDAL ASSEMBLY | |
| DRN BY VAN SCHMUS | CHK'D O'NEIL | SCALE 1:2 | DWG 5123 |
| P/N 72-601 | DATE 07/20/06 | SHEET 1 OF 1 | |

TILTON ENGINEERING INC.

"This document contains proprietary information of TILTON ENGINEERING, INC., and its receipt or possession does not convey the rights to reproduce, disclose its contents, or to manufacture, use or sell anything it may describe. Reproduction, disclosure, or use without specific written authorization of TILTON ENGINEERING, INC. is strictly forbidden."