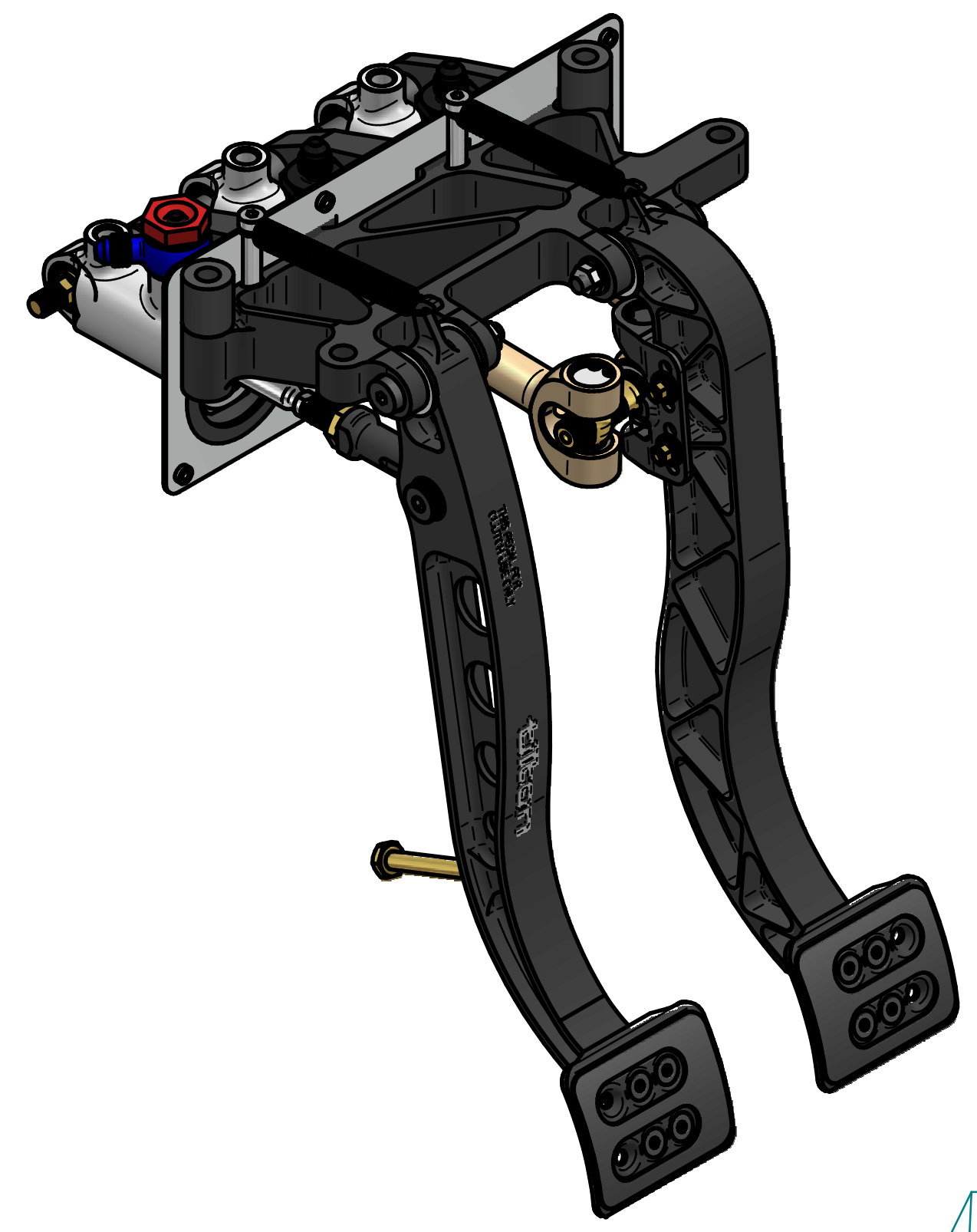
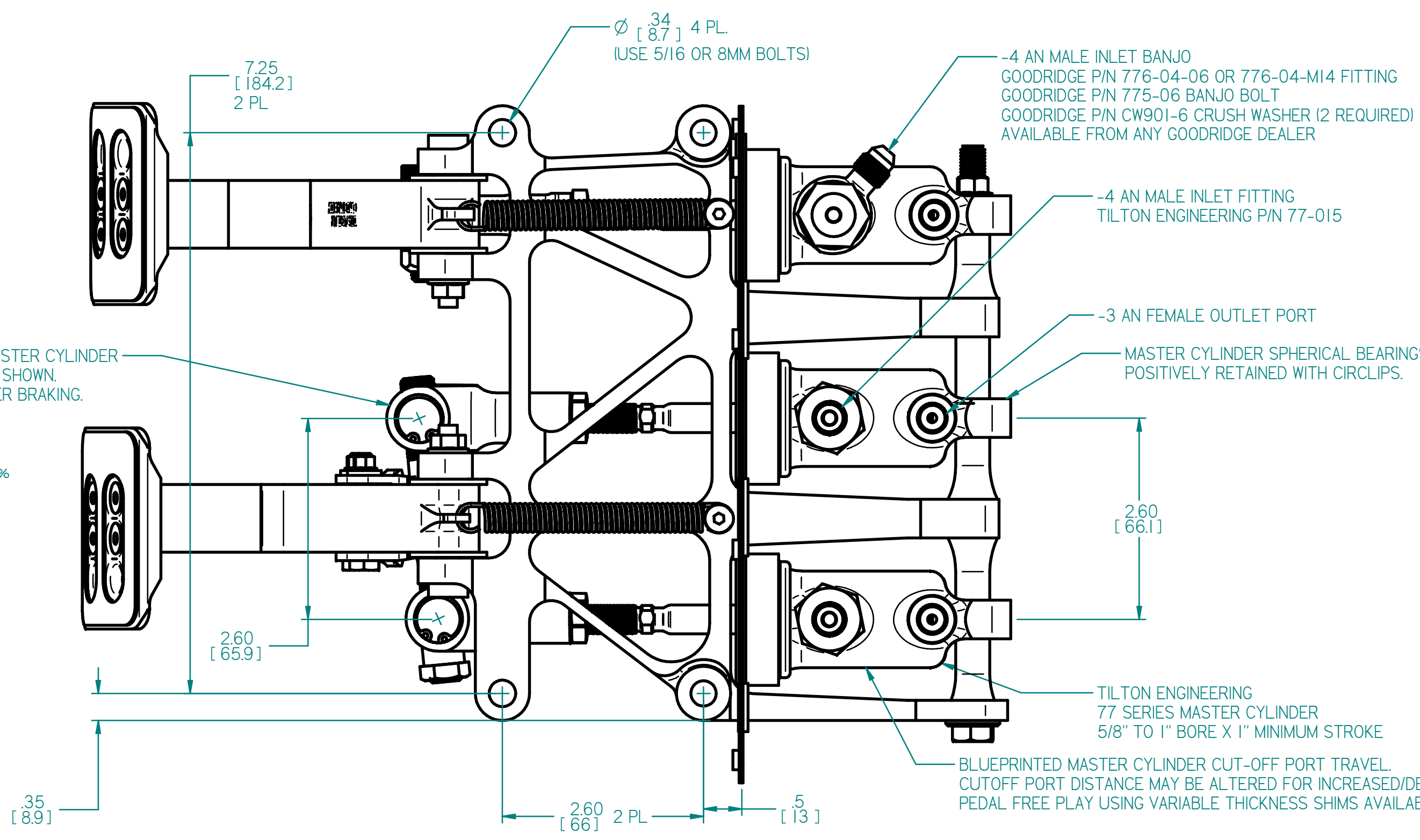


ZONE	CHK'D	DATE	REV	ECN	CHANGE OR ADDITION
ALL	LUND	10/10/13	A	1102	ADDED DUAL DIMENSIONS



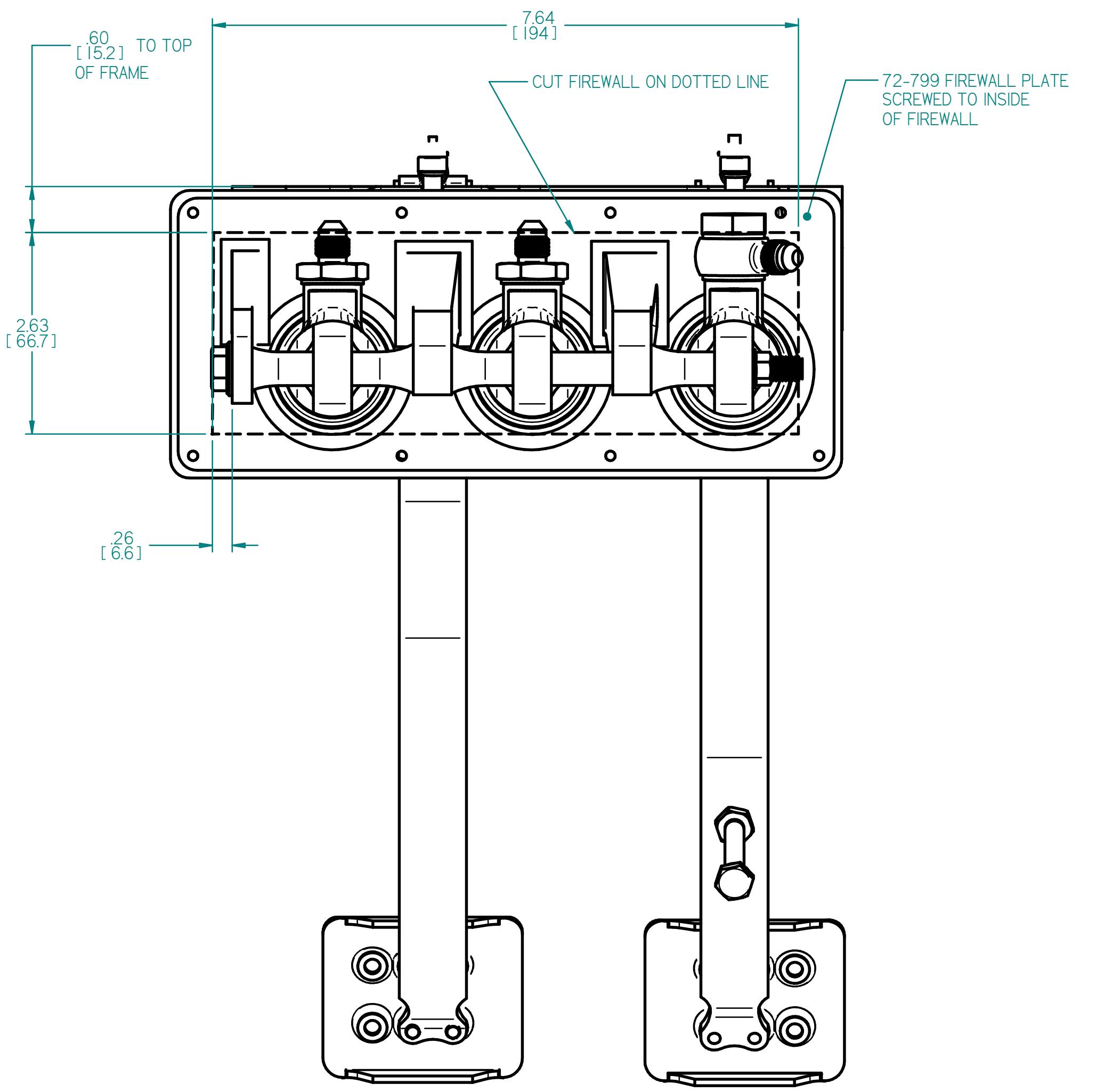
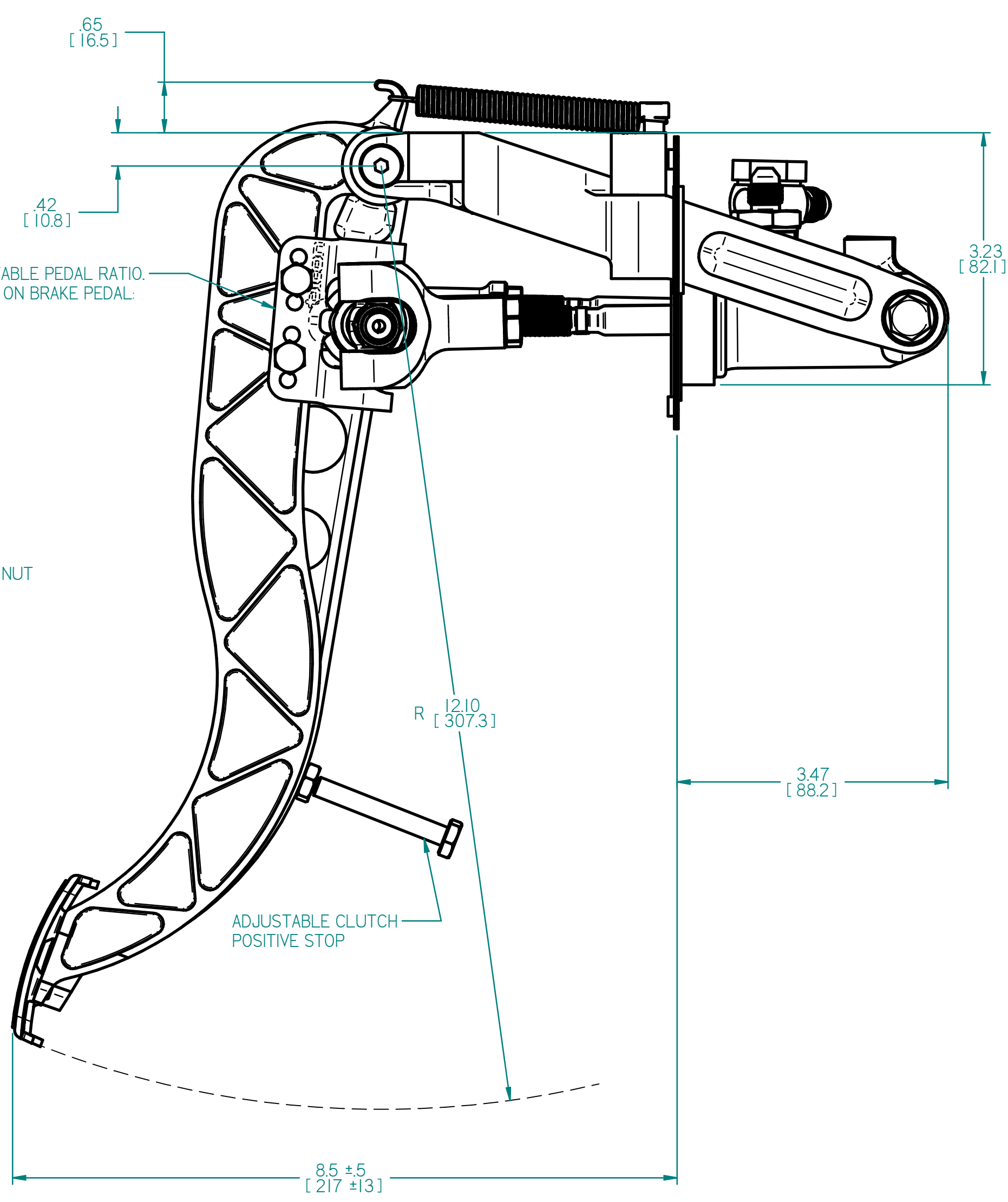
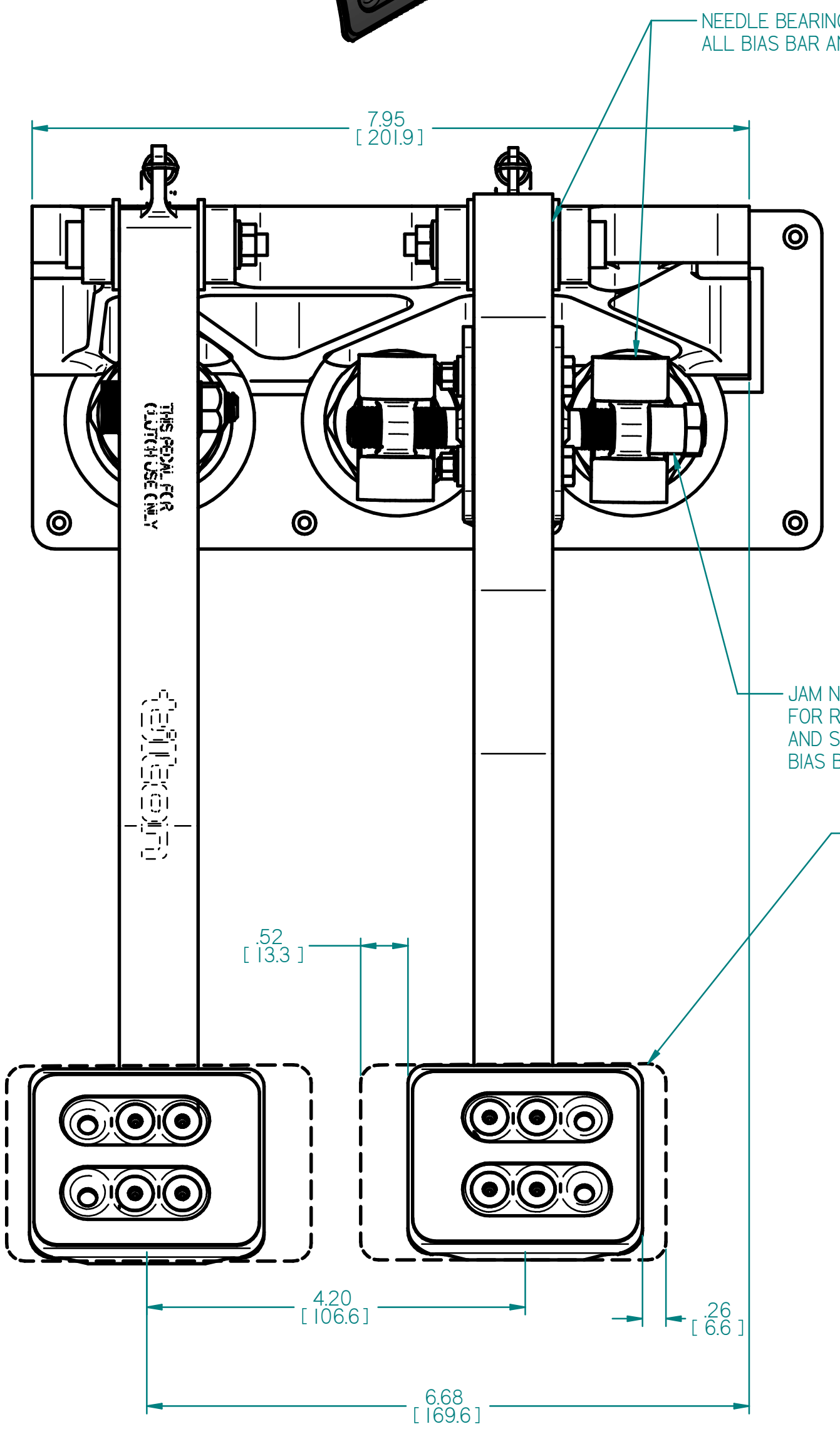
LONG CLEVIS FOR LONGER STROKE FRONT MASTER CYLINDER AT REST, LONG CLEVIS ROTATES BIAS BAR AS SHOWN. THIS ALLOWS BIAS BAR TO RUN SQUARE UNDER BRAKING.

BIAS BAR DATA
 9 TURNS OF TOTAL ADJUSTMENT
 FRONT TO REAR BIAS FROM 59/41% TO 41/59%
 1 TURN = 1.9% CHANGE



INLET FITTINGS ARE NOT INCLUDED WITH MASTER CYLINDERS. SUITABLE FITTINGS FOR YOUR PARTICULAR INSTALLATION MUST BE PURCHASED SEPARATELY.

C



NOTES:
 1. UNLESS OTHERWISE SPECIFIED, ALL DIMENSIONS ARE INCHES, [MM].
 2. DIMENSIONS ARE NOMINAL

TILTON ENGINEERING, INC.		(805)688-2353 FAX (805)688-2745	
25 EASY STREET P.O. BOX 1787		BUELLTON, CALIFORNIA 93427 USA	
TITLE:		INSTALLATION DRAWING PIVOT MOUNT PEDAL ASSEMBLY	
DRN BY VANSCHMUS	CHK'D	SCALE 3 : 4	DWG 4839
P/N 72-901	DATE 10/20/04	SHEET 1 OF 1	

"This document contains proprietary information of TILTON ENGINEERING, INC., and its receipt or possession does not convey the rights to reproduce, disclose its contents, or to manufacture, use or sell anything it may describe. Reproduction, disclosure, or use without specific written authorization of TILTON ENGINEERING, INC. is strictly forbidden."

TILTON ENGINEERING INC.