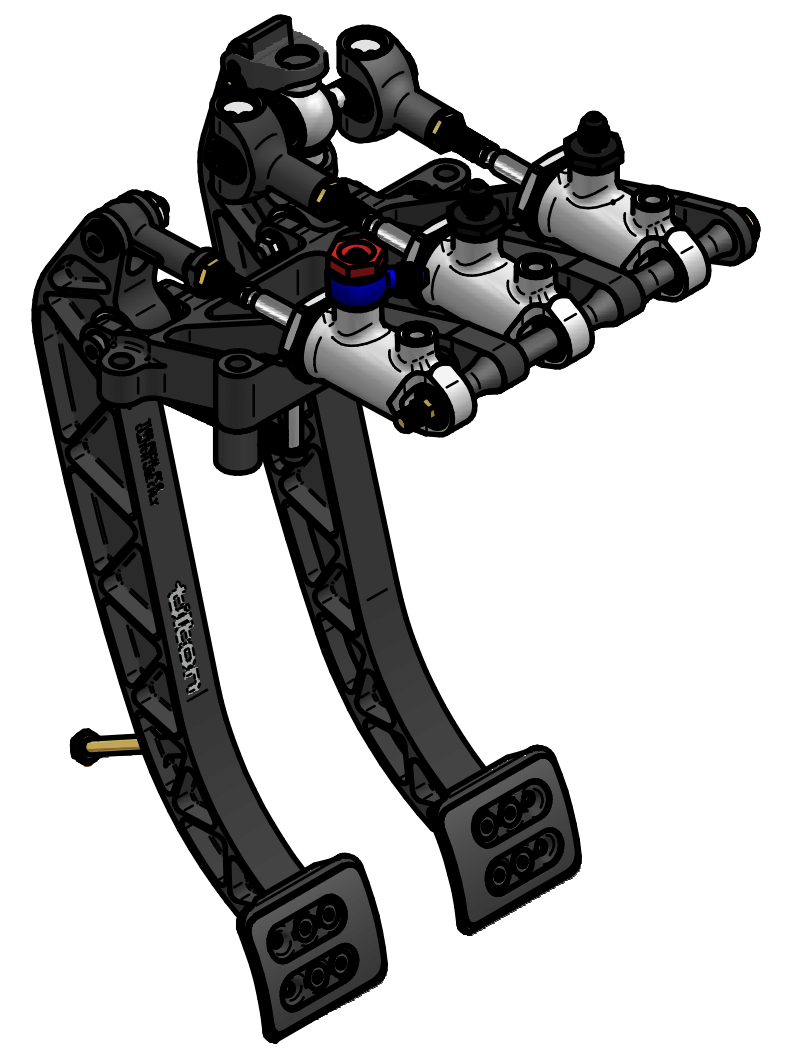


ZONE	CHK'D	DATE	REV	ECN	CHANGE OR ADDITION
ALL	LUND	10/10/13	A	1102	ADDED DUAL DIMENSIONS



-4 AN MALE INLET BANJO
GOODRIDGE P/N 776-04-06 OR 776-04-MI4 FITTING
GOODRIDGE P/N 775-06 BANJO BOLT
GOODRIDGE P/N CW901-6 CRUSH WASHER (2 REQUIRED)
AVAILABLE FROM ANY GOODRIDGE DEALER

-4AN MALE INLET FITTING
TILTON ENGINEERING P/N 77-015

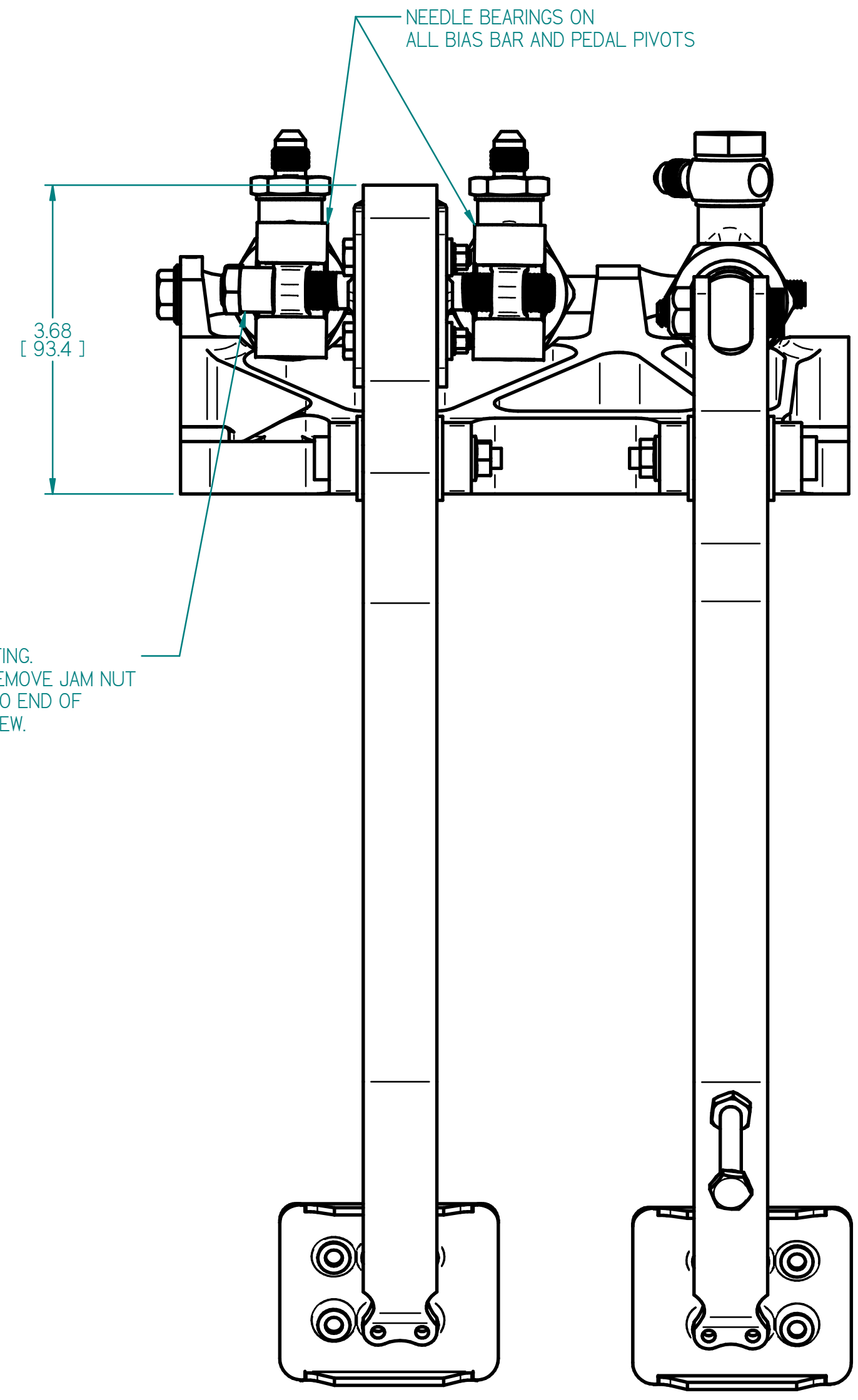
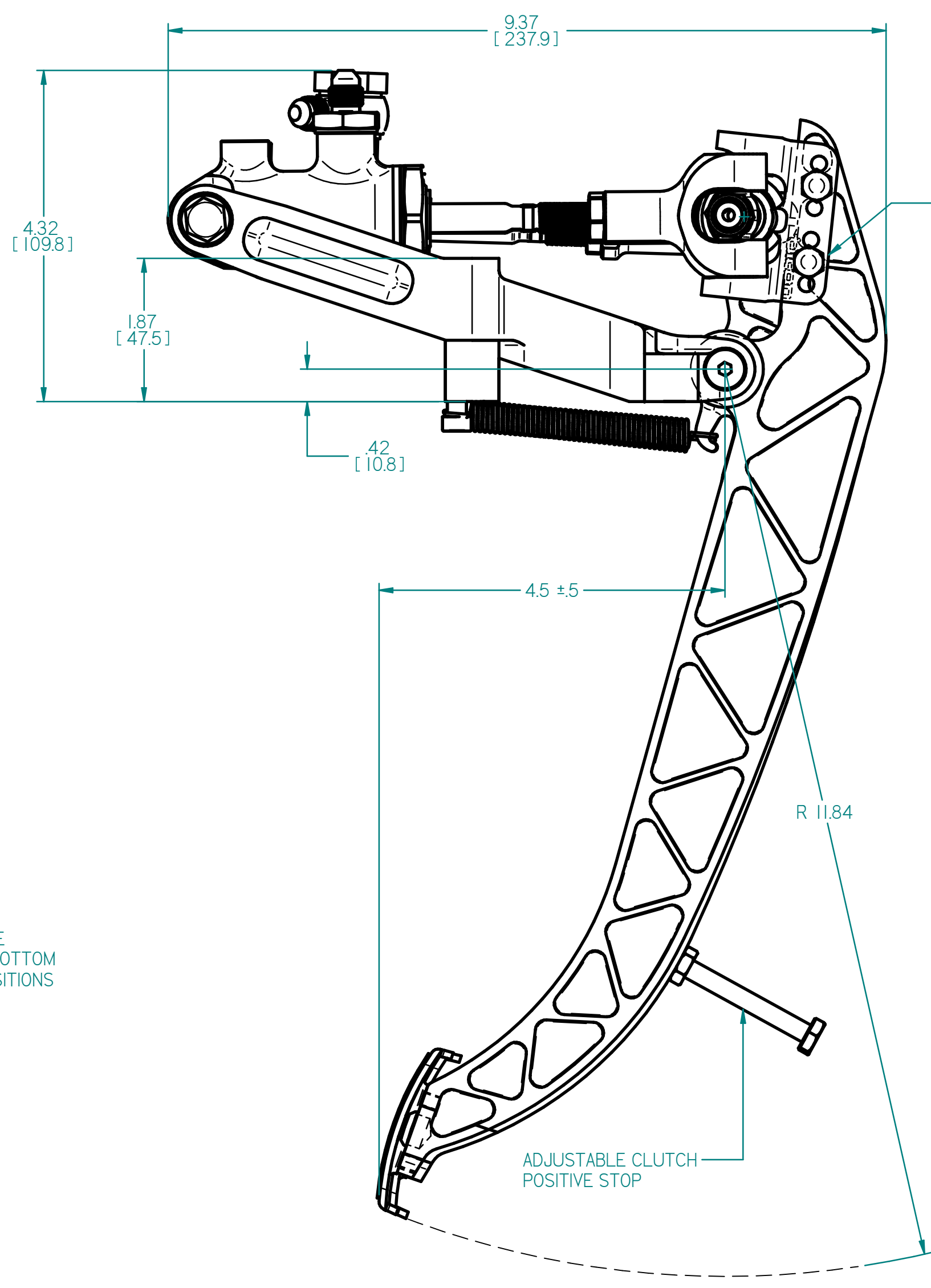
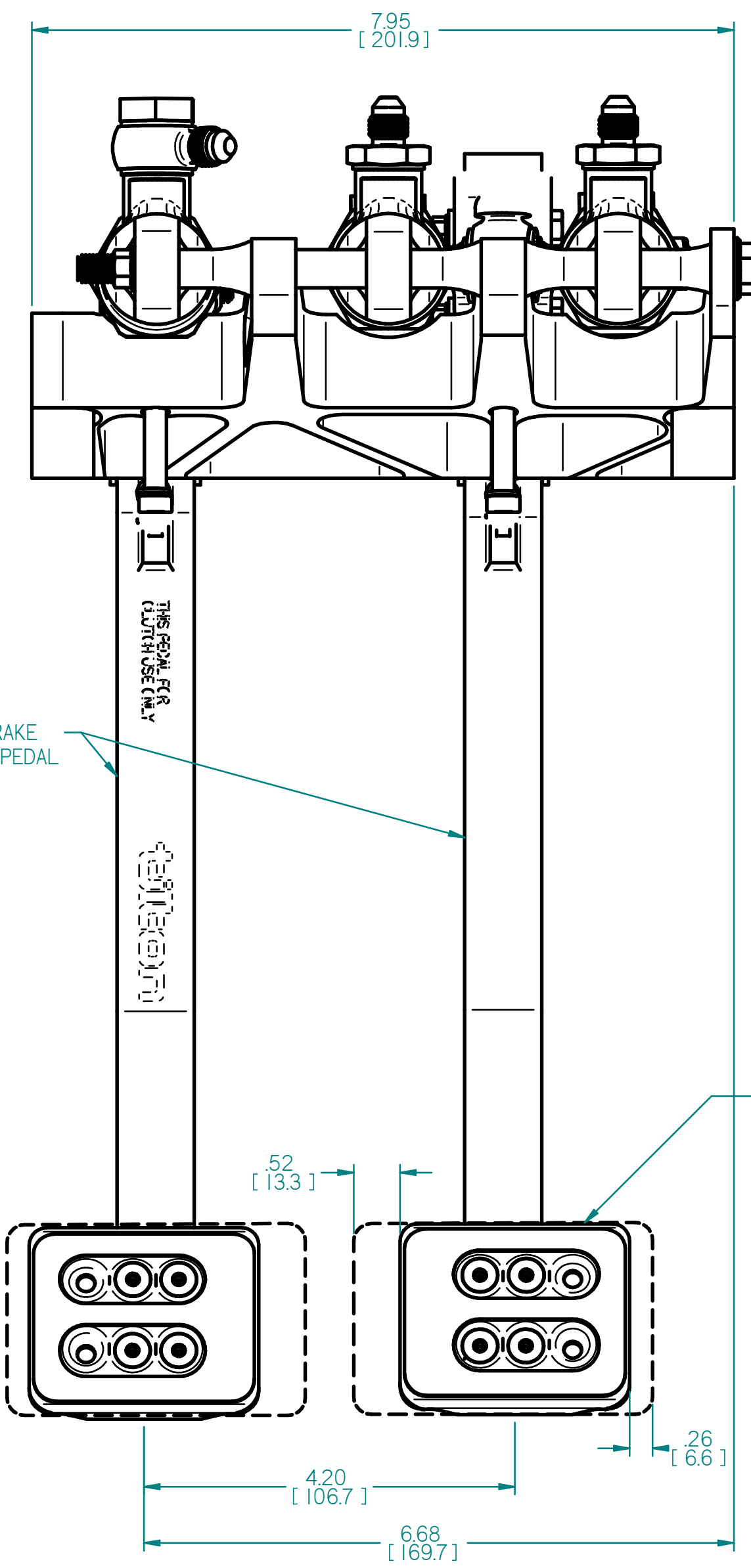
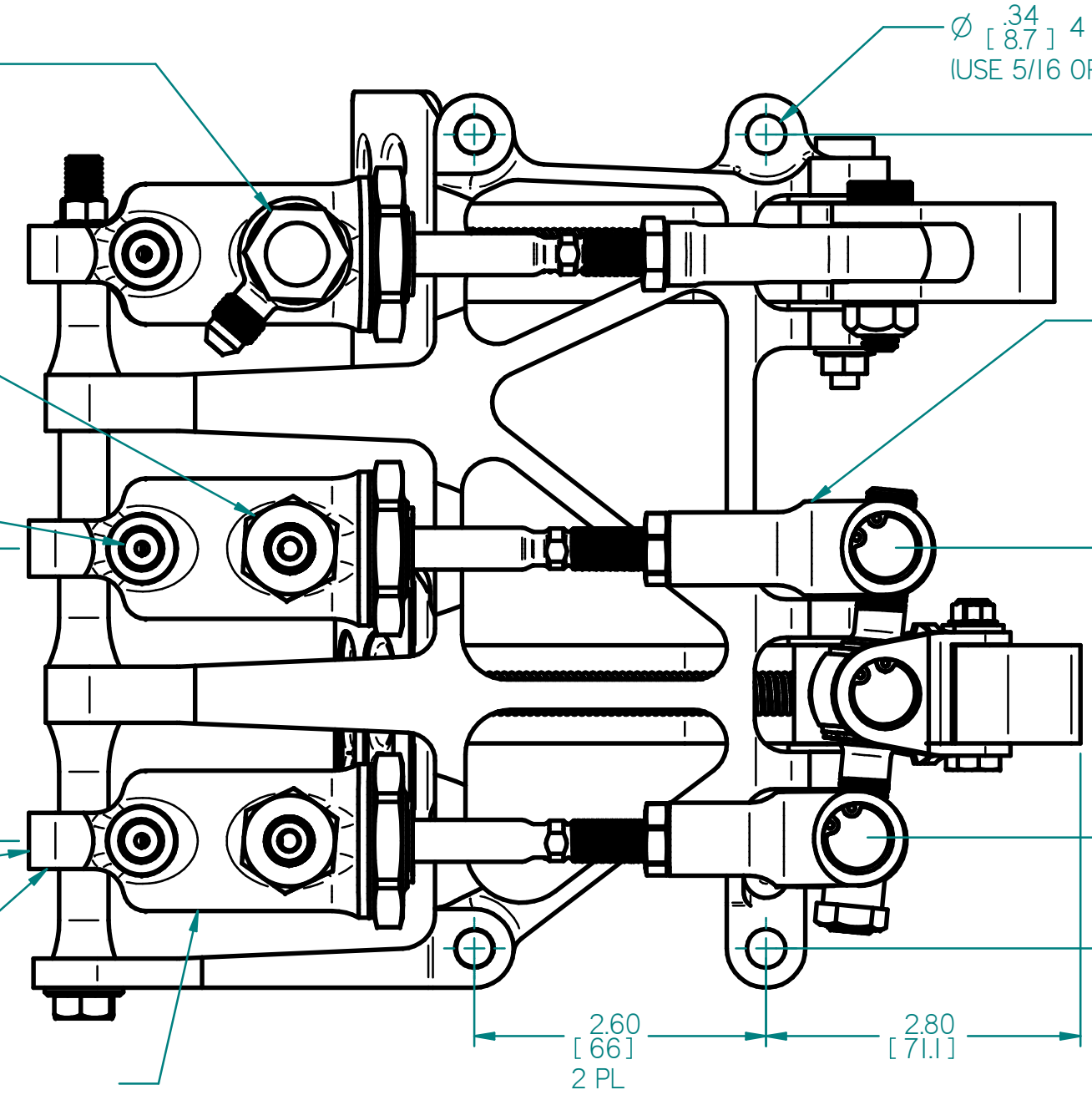
INLET FITTINGS ARE NOT INCLUDED WITH MASTER CYLINDERS.
SUITABLE FITTINGS FOR YOUR PARTICULAR INSTALLATION
MUST BE PURCHASED SEPARATELY.

-3 AN FEMALE OUTLET PORT

TILTON ENGINEERING
77 SERIES MASTER CYLINDER
5/8" TO 1" BORE

MASTER CYLINDER SPHERICAL BEARINGS
POSITIVELY RETAINED WITH CIRCLIPS.

BLUEPRINTED MASTER CYLINDER CUT-OFF PORT TRAVEL.
CUTOFF PORT DISTANCE MAY BE ALTERED FOR INCREASED/DECREASED
PEDAL FREE PLAY USING VARIABLE THICKNESS SHIMS AVAILABLE SEPARATELY.



NOTES:
1. UNLESS OTHERWISE SPECIFIED, ALL DIMENSIONS ARE INCHES [MM].
2. DIMENSIONS ARE NOMINAL

TOLERANCES: UNLESS SPECIFIED OTHERWISE		MATERIAL		TILTON ENGINEERING, INC. (805)688-2353 FAX (805)688-2745	
.X ± .020	DRILL HOLES	SPEC		25 EASY STREET P.O. BOX 1787 BUELLTON, CALIFORNIA 93427 USA	
.XX ± .010	.013-.040: +.001/- .001	COND		TITLE: INSTALLATION DRAWING	
.XXX ± .005	.041-.130: +.002/- .001	HARD		OVERHUNG PIVOT MOUNT PEDAL ASSEMBLY	
FRACT ± 1/32	.131-.228: +.003/- .001	FINISH	DRN BY CHAMBERS	CHK'D	SCALE 3 : 4
ANGLE ± 1/2°	.230-.500: +.004/- .001	SPEC	P/N 72-902	DATE 12/20/04	DWG 4890
CONC(TIR) .005	.501-.750: +.005/- .001			SHEET 1 OF 2	
	.751-1.000: +.007/- .001				
	1.001-2.000: +.010/- .001				

"This document contains proprietary information of TILTON ENGINEERING, INC., and its receipt or possession does not convey the rights to reproduce, disclose its contents, or to manufacture, use or sell anything it may describe. Reproduction, disclosure, or use without specific written authorization of TILTON ENGINEERING, INC. is strictly forbidden."

TILTON ENGINEERING