

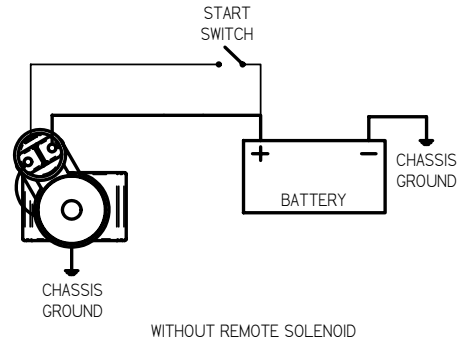
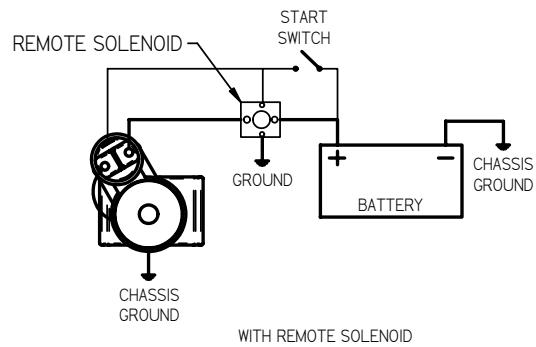
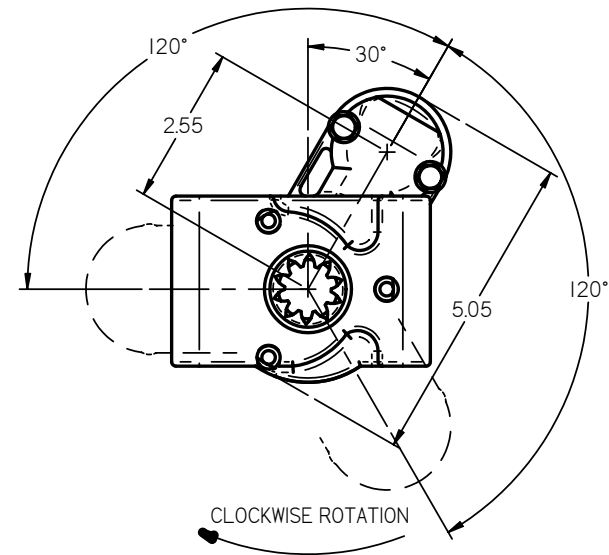
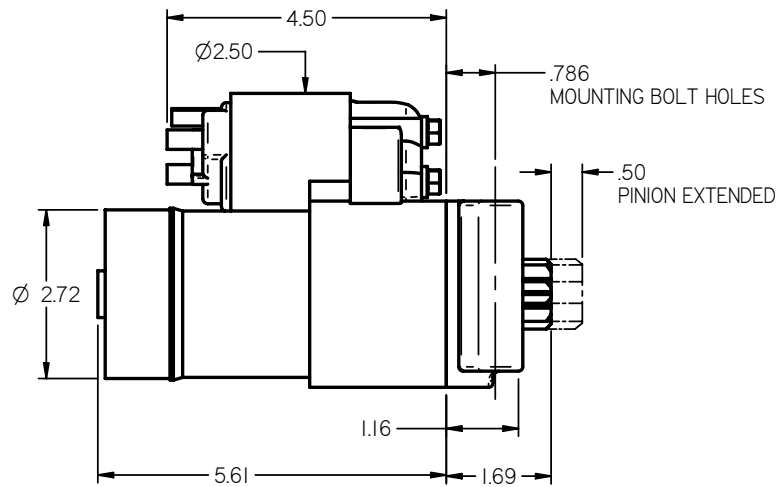
4

3

2

1

ZONE	CHKD	DATE	REV	ECN	CHANGE OR ADDITION
ALL	BMR	07/17/02	A		CHANGED TO SOLID MODEL



NOTES:

1. STARTER CAN BE INDEXED INTO THREE POSITIONS AS SHOWN
2. SET BACKLASH BETWEEN PINION AND RING GEAR TO .020" +/- .010"
3. CHECK FOR .100" +/- .040" PINION OFFSET FROM RING GEAR
4. 10 TOOTH, 12 PITCH PINION, .890" (22.58mm) PITCH DIAMETER
5. STARTER WEIGHT WITH NOSE: 7 LBS
6. POWER OUTPUT: 1.9 hp (1.4 kW)
7. CHEVY V8, SML & BIG BLK 153/168T FW
8. DIMENSIONS ARE NOMINAL

TILTON ENGINEERING, INC.		FAX 805/688-2745	
25 EASY STREET, P.O. BOX 1787, BUELLTON, CA 93427 805/688-2353			
TITLE:		TILTON XLT SUPER STARTER WITH 54-169 NOSE FOR CHEVY SB V-8	
DRAWN BY	ROBINSON	CHKD	SCALE 1 : 2
P/N	54-50001	DATE	07/17/02
		SHEET 1 OF 1	
			DWG. 3810

This document contains proprietary information of TILTON ENGINEERING, INC. and its receipt or possession does not constitute an offer, approval, or authorization for manufacture, use or sale of anything in any description. Reproduction, disclosure, or use without specific written authorization of TILTON ENGINEERING, INC. is strictly forbidden.

TILTON ENGINEERING