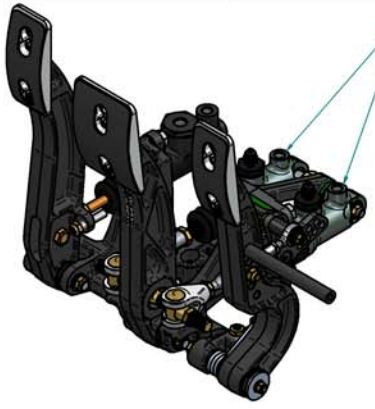


REV	ECN	DATE	BY	CHANGE OR ADDITION
-----	-----	------	----	--------------------



PLUMBING MUST BE FLEXIBLE LINES AT INLET AND OUTLET OF PIVOT TYPE MASTER CYLINDERS. MASTER CYLINDERS MUST BE ALLOWED TO MOVE SLIGHTLY DURING ADJUSTMENT AND USE.

TORQUE PUSHROD JAM NUTS TO 144 LB-IN. DO NOT USE THREAD LOCKING COMPOUND, 3 PL.

ADJUST PUSHROD TO CLEVIS ENGAGEMENT SO THAT BALANCE BAR IS PARALLEL TO FIREWALL WHILE UNDER NORMAL BRAKING LOAD. THEN TIGHTEN JAM NUTS TO 144 LB-IN. DO NOT USE THREAD LOCKING COMPOUND.

CLEVIS DESIGNED FOR MINIMUM FREE PLAY WITH OR WITHOUT JAM NUTS.

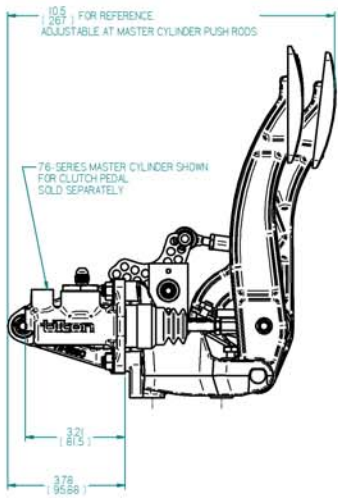
LOW FRICTION DRY LUBE AND HARD COATING ON CLEVISSES.

JAM NUT SECURES BIAS BAR SETTING.

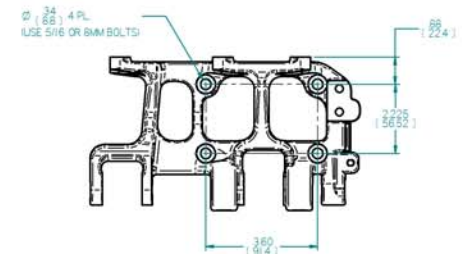
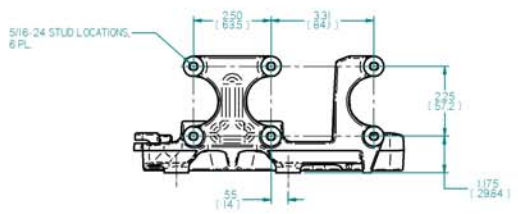
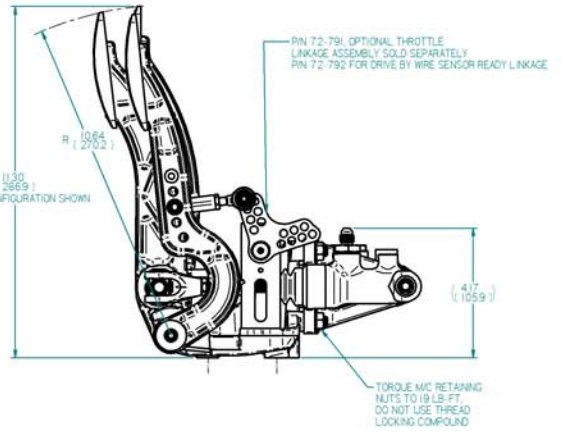
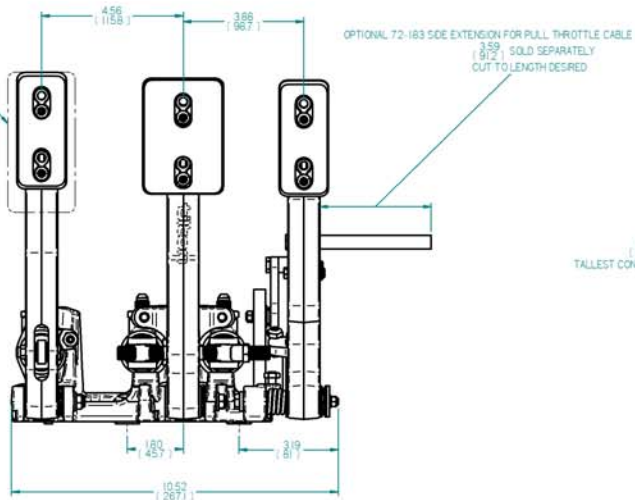
FOR REMOTE CABLE ADJUSTER, REMOVE JAM NUT AND SECURE CABLE TO END OF BIAS BAR WITH CABLE COUPLER.

SET TO:
 2.62 ± 0.05
 $(.667 \pm .013)$

FOR CLUTCH DO NOT EXCEED 3 DEGREES OF PUSHROD ANGULARITY DURING STROKE OF PEDALS. PREMATURE MASTER CYLINDER WEAR MAY OCCUR.



ALL PEDALS
 75 (19.1mm) TOTAL HEIGHT ADJ. 4 POS.
 58 (14.7mm) TOTAL HORIZONTAL ADJ. 3 POS.



PEDAL ASSEMBLY IS COMPATIBLE WITH TILTON ENGINEERING 73, 74, 75 OR 76 SERIES MASTER CYLINDERS AT THE CLUTCH PEDAL LOCATION AND ARE SOLD SEPARATELY.

77, 78 SERIES MASTER CYLINDERS ARE TO BE USED AT THE BRAKE PEDAL LOCATION AND ARE SOLD SEPARATELY.

76/78 SERIES MASTER CYLINDERS SHOWN HERE ARE FOR ILLUSTRATION PURPOSES ONLY AND ARE NOT INCLUDED WITH PEDAL ASSEMBLY.

NOTES:
 1. DIMENSIONS AND TOLERANCES PER ASME Y14.5 - 2009
 2. UNLESS OTHERWISE SPECIFIED, ALL DIMENSIONS ARE IN INCHES (MM)
 3. DIMENSIONS ARE NOMINAL.

TILTON ENGINEERING, INC.		(805)688-2353 FAX (805)688-2745	
25 EASY STREET P.O. BOX 1787		BUELLTON, CALIFORNIA 93427 USA	
TITLE: PEDAL ASSEMBLY, FLOOR MOUNT, PIVOT TYPE MASTERS INSTALLATION DRAWING, 3 PEDAL, ALUMINUM			
DRN BY: LUND	CHKD: WAHL	SCALE: 1:2	DWG: 6349
PN: 72-803	DATE: 9/7/2016	SHEET: 1 OF 1	REV: NC

*This document contains proprietary information of TILTON ENGINEERING, INC. and its receipt or possession does not convey the right to reproduce, disclose its contents, or to manufacture, use or sell anything it may describe. Reproduction, disclosure, or use without specific written authorization of TILTON ENGINEERING, INC. is strictly forbidden.

TILTON ENGINEERING