

1 & 2-plate OT-II 7.25"



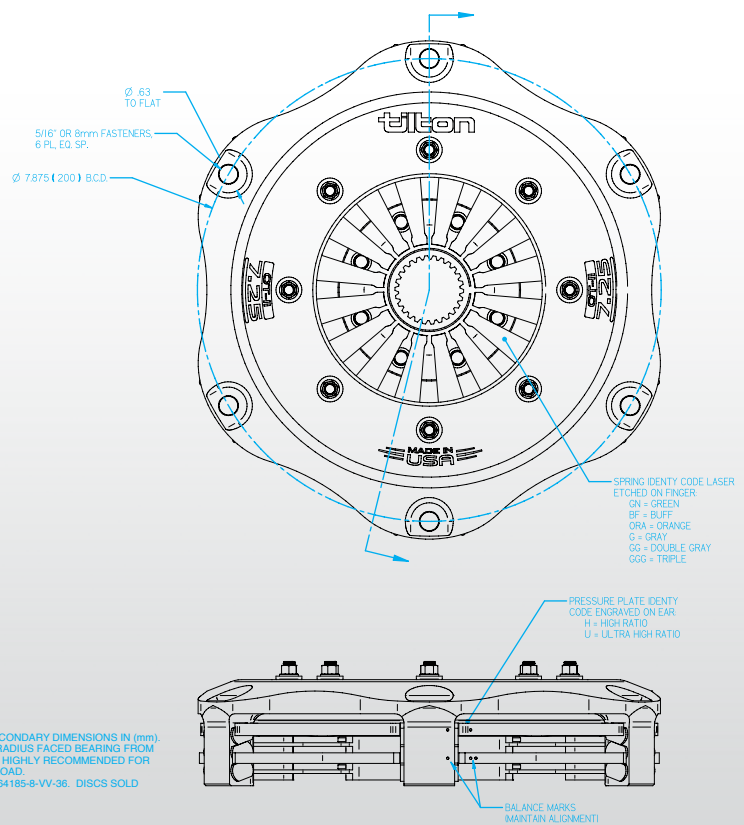
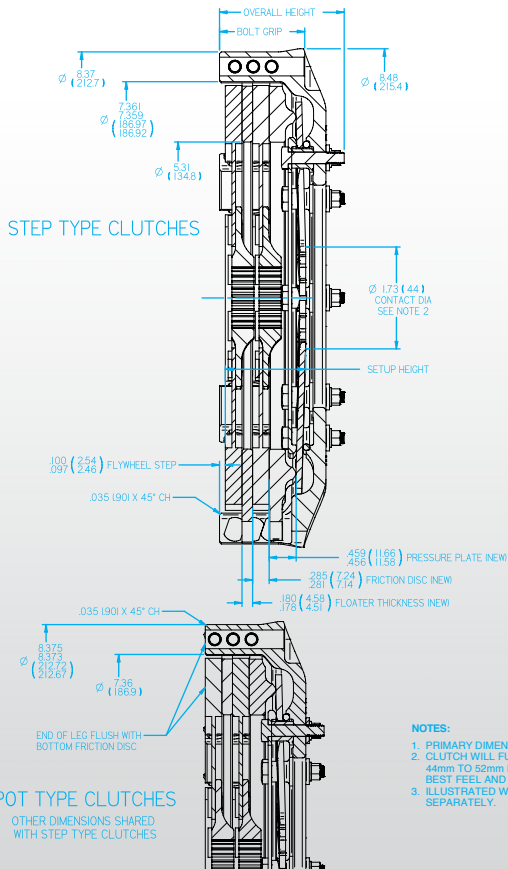
Clutch Size: **7.25" (185 mm)**
 Available Disc Count: **1 & 2-plate**
 Total Weight: **See Table**
 P/N: **See Table**

Typical Applications

- Rally
- Club Racing
- Road Racing
- Off-Road
- Extreme Street/Strip

Six diaphragm spring rate options offer a wide range of torque capacities and release loads to tune the clutch for the application.

Two pressure plate ratio options offer different torque capacity and modulation characteristics.



NOTES:

1. PRIMARY DIMENSION IN INCHES. SECONDARY DIMENSIONS IN (mm).
2. CLUTCH WILL FUNCTION WITH ANY RADIUS FACED BEARING FROM 44mm TO 52mm DIA. 44mm BEARING HIGHLY RECOMMENDED FOR BEST FEEL AND LOWEST RELEASE LOAD.
3. ILLUSTRATED WITH DISC PACK P/N: 64185-8-VV-36. DISCS SOLD SEPARATELY.

CLUTCH P/N	# OF DISCS	FLYWHEEL MOUNTING	SETUP HEIGHT (NEW)	SETUP HEIGHT (WORN)	BOLT GRIP	OVERALL HEIGHT
66-301	1	STEP	91 (231)	106 (269)	884 (22.49)	165 (419)
66-311	1	POT	91 (231)	106 (269)	884 (22.49)	155 (394)
66-302	2	STEP	137 (34.8)	152 (38.6)	1442 (36.63)	211 (53.6)
66-312	2	POT	137 (34.8)	152 (38.6)	1342 (34.09)	201 (51.1)

Detailed Clutch Information

Clutch assemblies include clutch cover with diaphragm spring, pressure plate and floater plate(s).

	Torque Capacity <i>(lb-ft/Nm)</i>	Release Load* <i>(lb/daN)</i>	Weight** <i>(lbs/kg)</i>	M.O.I.** <i>(lb-in²/kg-m²)</i>	Pressure Plate <i>(ratio)</i>	Part Numbers
1-plate	200/272	400/180	5.6/2.5	52.4/.0154	High	66-301HW
	240/326	400/180	5.6/2.5	52.4/.0154	Ultra-high	66-301UW
	240/326	480/211	5.6/2.5	52.4/.0154	High	66-301HBF
	285/388	480/211	5.6/2.5	52.4/.0154	Ultra-high	66-301UBF
	280/381	560/247	5.6/2.5	52.4/.0154	High	66-301HORA
	335/456	560/247	5.6/2.5	52.4/.0154	Ultra-high	66-301UORA
	340/462	680/299	5.6/2.5	52.4/.0154	High	66-301HG
	410/558	680/299	5.6/2.5	52.4/.0154	Ultra-high	66-301UG
	380/517	760/334	5.6/2.5	52.4/.0154	High	66-301HGG
	455/619	760/334	5.6/2.5	52.4/.0154	Ultra-high	66-301UGG
	415/564	800/352	5.6/2.5	52.4/.0154	High	66-301HGGG
2-plate	400/544	400/180	8.2/3.7	76.3/.0225	High	66-302HW
	480/652	400/180	8.2/3.7	76.3/.0225	Ultra-high	66-302UW
	480/652	480/211	8.2/3.7	76.3/.0225	High	66-302HBF
	570/775	480/211	8.2/3.7	76.3/.0225	Ultra-high	66-302UBF
	560/762	560/247	8.2/3.7	76.3/.0225	High	66-302HORA
	670/911	560/247	8.2/3.7	76.3/.0225	Ultra-high	66-302UORA
	680/925	680/299	8.2/3.7	76.3/.0225	High	66-302HG
	820/1115	680/299	8.2/3.7	76.3/.0225	Ultra-high	66-302UG
	760/1034	760/334	8.2/3.7	76.3/.0225	High	66-302HGG
	910/1238	760/334	8.2/3.7	76.3/.0225	Ultra-high	66-302UGG
	830/1129	800/352	8.2/3.7	76.3/.0225	High	66-302HGGG

Note: Unless noted, clutches listed are for use with "step-type" flywheel that have a .100" step for the friction surface.

Clutches are also available for "pot-type" (no step) flywheels. Contact Tilton for further information and part numbers.

* Values listed are typical for release bearings with the recommended 44mm contact diameter. Larger contact diameters will increase release load.

** Weight and M.O.I. includes disc(s).

Service Parts

Pressure Plates	Part Numbers
7.25", high ratio	66-118HR-R
7.25", ultra-high ratio	66-118UHR-R
Floater Plate	Part Number
7.25", standard	66-119