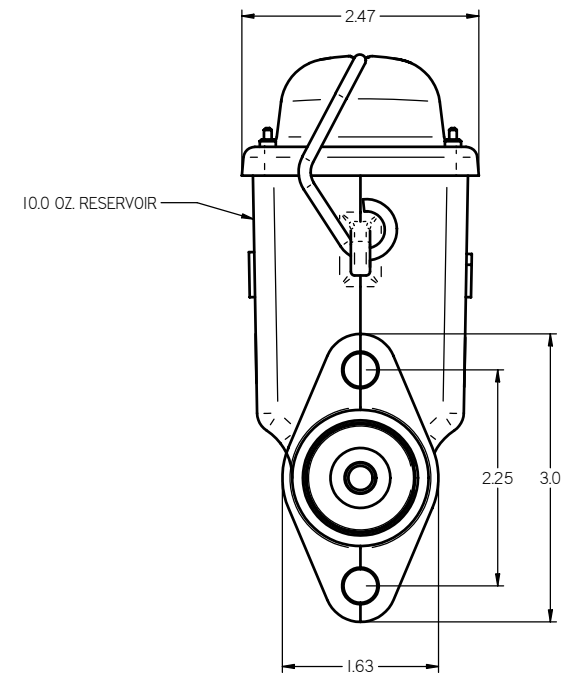
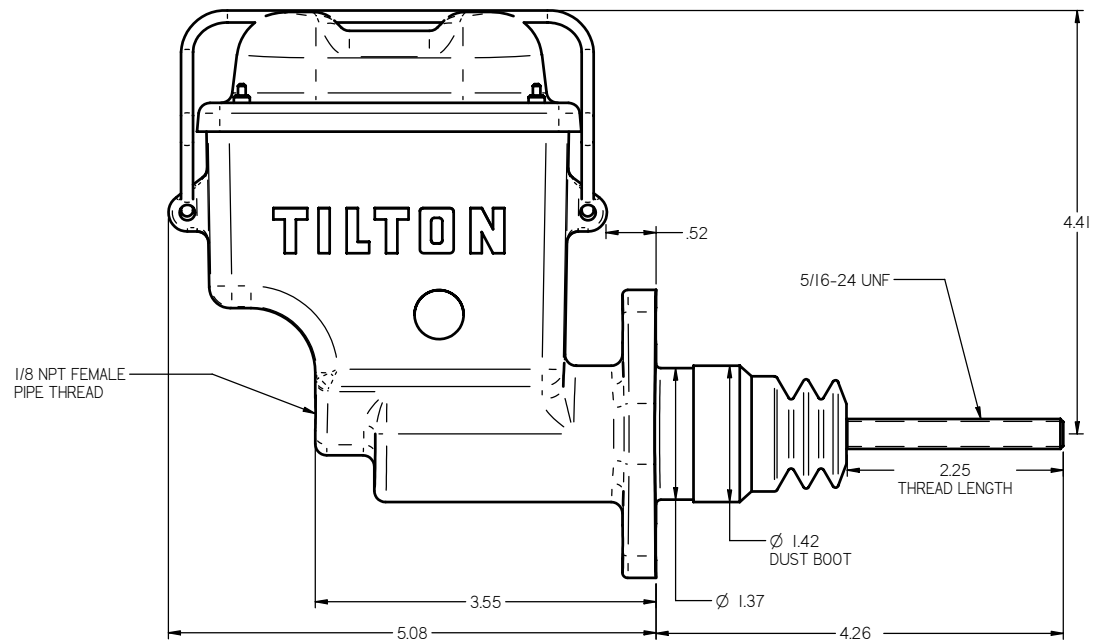


ZONE	CHK'D	DATE	REV	ECN	CHANGE OR ADDITION
------	-------	------	-----	-----	--------------------



NOTES:
1. ALL DIMENSIONS ARE IN INCHES.

TOLERANCES: UNLESS SPECIFIED OTHERWISE

DRILL HOLES	
.X ±	.020
.XX ±	.010
.XXX ±	.005
FRACT ±	1/32
ANGLE ±	1/2°
CONC(TIR)	.005
	.013-.040 +.001/- .001
	.041-.130 +.002/- .001
	.131-.229 +.003/- .001
	.230-.500 +.004/- .001
	.501-.750 +.005/- .001
	.751-1.000 +.007/- .001
	1.001-2.000 +.010/- .001

MAT'L	TILTON ENGINEERING, INC. (805)688-2353 FAX (805)688-2745		
SPEC	25 EASY STREET P.O. BOX 1787 BUELLTON, CALIFORNIA 93427 USA		
COND	TITLE: INSTALLATION DRAWING		
HARD	73 SERIES MASTER CYLINDERS		
FINISH	DRN BY CHAMBERS	CHK'D VAN SCHMUS	SCALE 1 : 1
SPEC	P/N 73-XXX	DATE 4/1/05	SHEET 1 OF 1
			DWG 4935

This document contains proprietary information of TILTON ENGINEERING, INC. and its receipt or possession does not convey the rights to reproduce, disclose its contents, or to manufacture, use or sell anything it may describe. Reproduction, disclosure, or use without specific written authorization of TILTON ENGINEERING, INC. is strictly forbidden.

TILTON ENGINEERING
INC.