



INSTALLATION NOTES:

1. USE ONLY WITH DOT-3 OR DOT-4 BRAKE FLUID.
2. NO INTERNAL TRAVEL LIMITER. MUST BE USED WITH CLUTCH PEDAL STOP.
3. SEAL REBUILD KIT = 62-905.
4. SEAL INSTALLATION TOOL = 96-002.
5. HYDRAULIC AREA = 1.215 SQ IN.
6. EITHER PORT MAY BE USED FOR FEED OR BLEED.
7. ORIENTATE BLEED PORT WITHIN 10 DEGREES OF TOP CENTER TO FACILITATE BLEEDING PROCESS.
8. UNIT IS SHIPPED WITH SHIM 62-903 (.050" THICK) INSTALLED UNDER THE BEARING WHICH MAY BE REMOVED FOR ADDITIONAL CLEARANCE.
9. BOTH PORTS 3/8-24 UNF X .28 THREAD DEPTH.

ITEM	PART NUMBER	DESCRIPTION	QTY
1	62-0000	HYDRAULIC BASE	1
2	62-617	WIPER	1
3	SEE CHART	PISTON	1
4	62-614	HYDRAULIC SEAL	1
5	62-008	BEARING	1
6	73-820	FITTING, AN-3	2
7	62-903	SHIM	1

*This document contains proprietary information of TILTON ENGINEERING, INC., and its receipt or possession does not convey the rights to reproduce, disclose its contents, or to manufacture, use or sell anything it may describe. Reproduction, disclosure, or use without specific written authorization of TILTON ENGINEERING INC. is strictly forbidden.

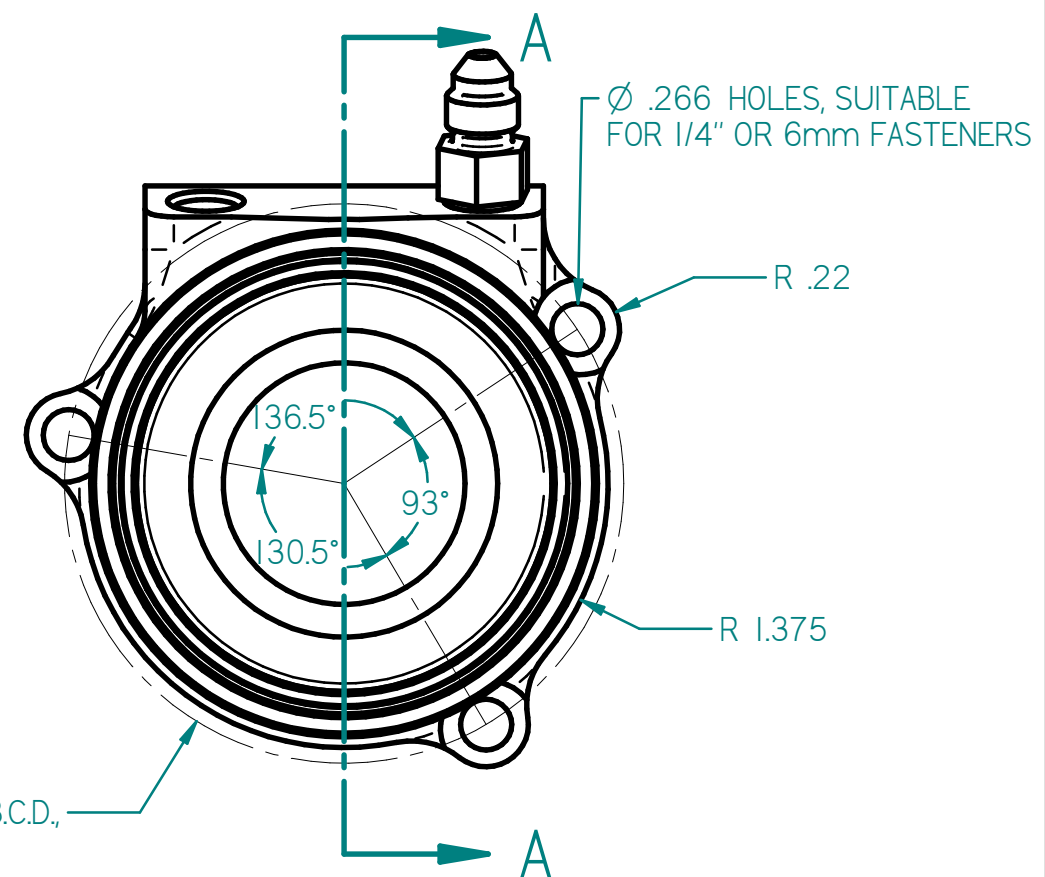
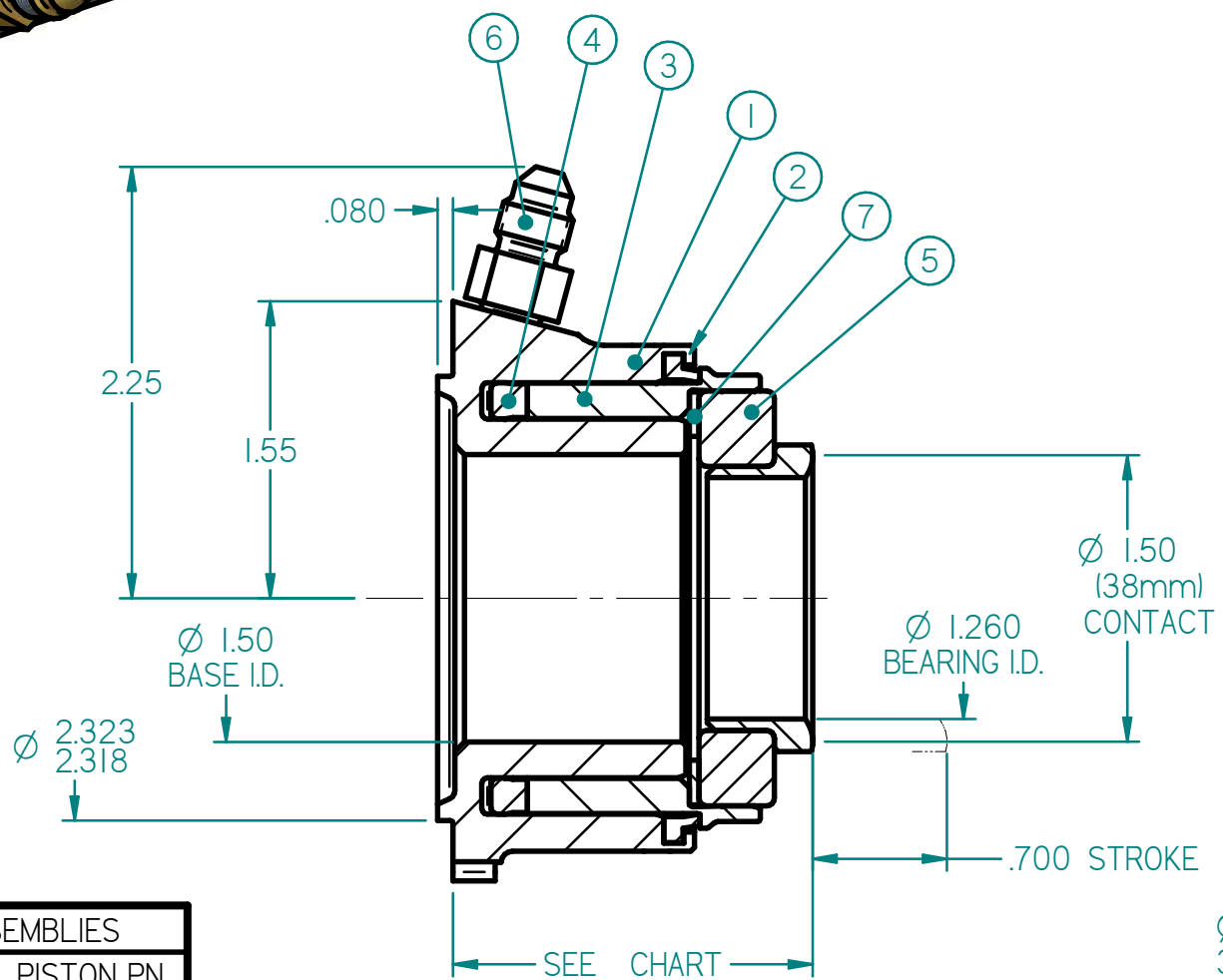


CHART OF AVAILABLE ASSEMBLIES

HEIGHT	ASSY PN	PISTON PN
1.87"	60-0300	62-6000
1.97"	60-0310	62-6001
2.07"	60-0320	62-6002
2.17"	60-0330	62-6003
2.27"	60-0340	62-6004
2.37"	60-0350	62-6005
2.47"	60-0360	62-6006
2.57"	60-0370	62-6007
2.67"	60-0380	62-6008
2.77"	60-0390	62-6009

TILTON ENGINEERING, INC. FAX 805/688-2745

25 EASY STREET, P.O. BOX 1787, BUELLTON, CA 93427 805/688-2353

TITLE: HYDRAULIC RELEASE BEARING ASSEMBLY
38mm RADIUS FACED BEARING, SAAB 900 MOUNTING

DRAWN BY WAHL	CHKD	SCALE 1:1	SIZE	DWG	REV
P/N SEE CHART	DATE 7/26/2019	SHEET 1 OF 1	B	7181	NC

