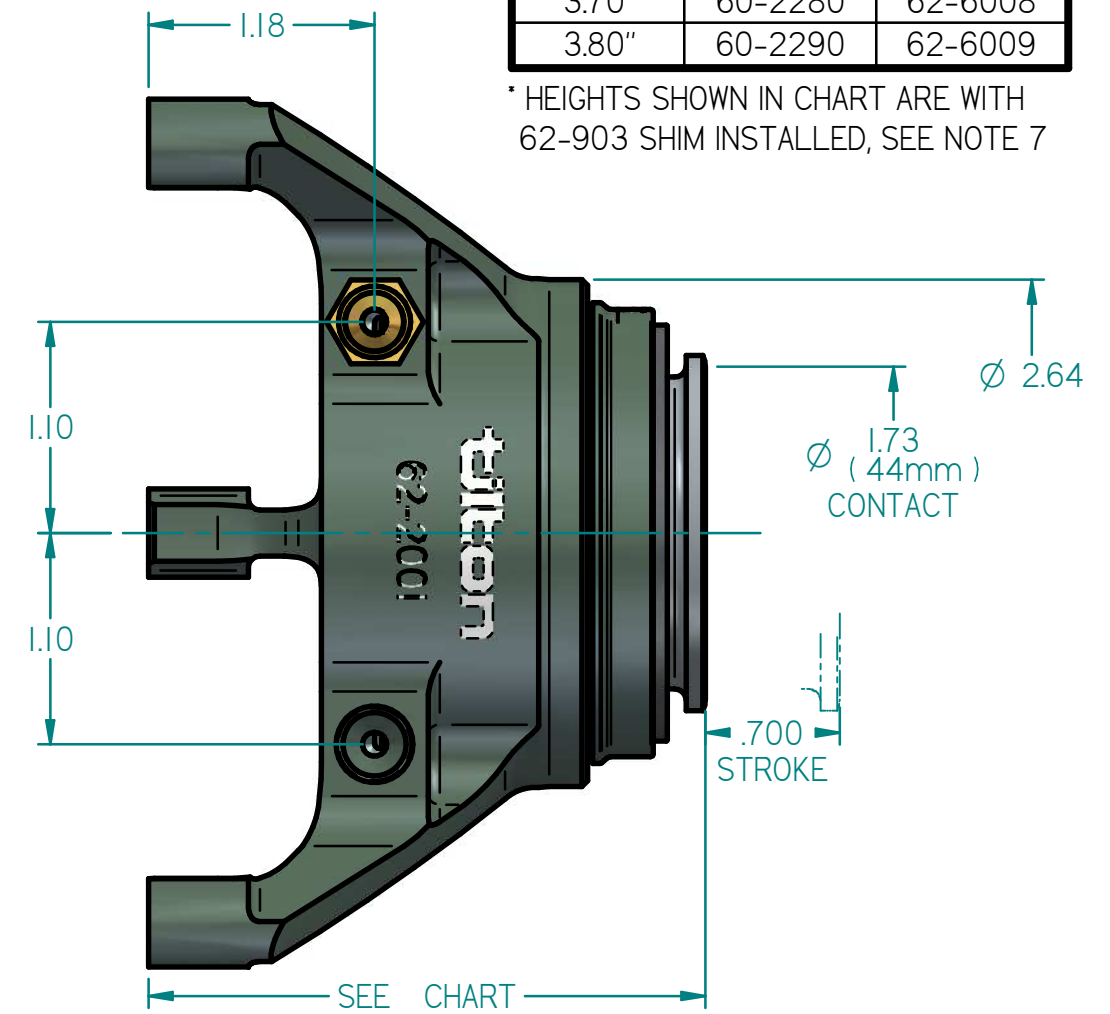
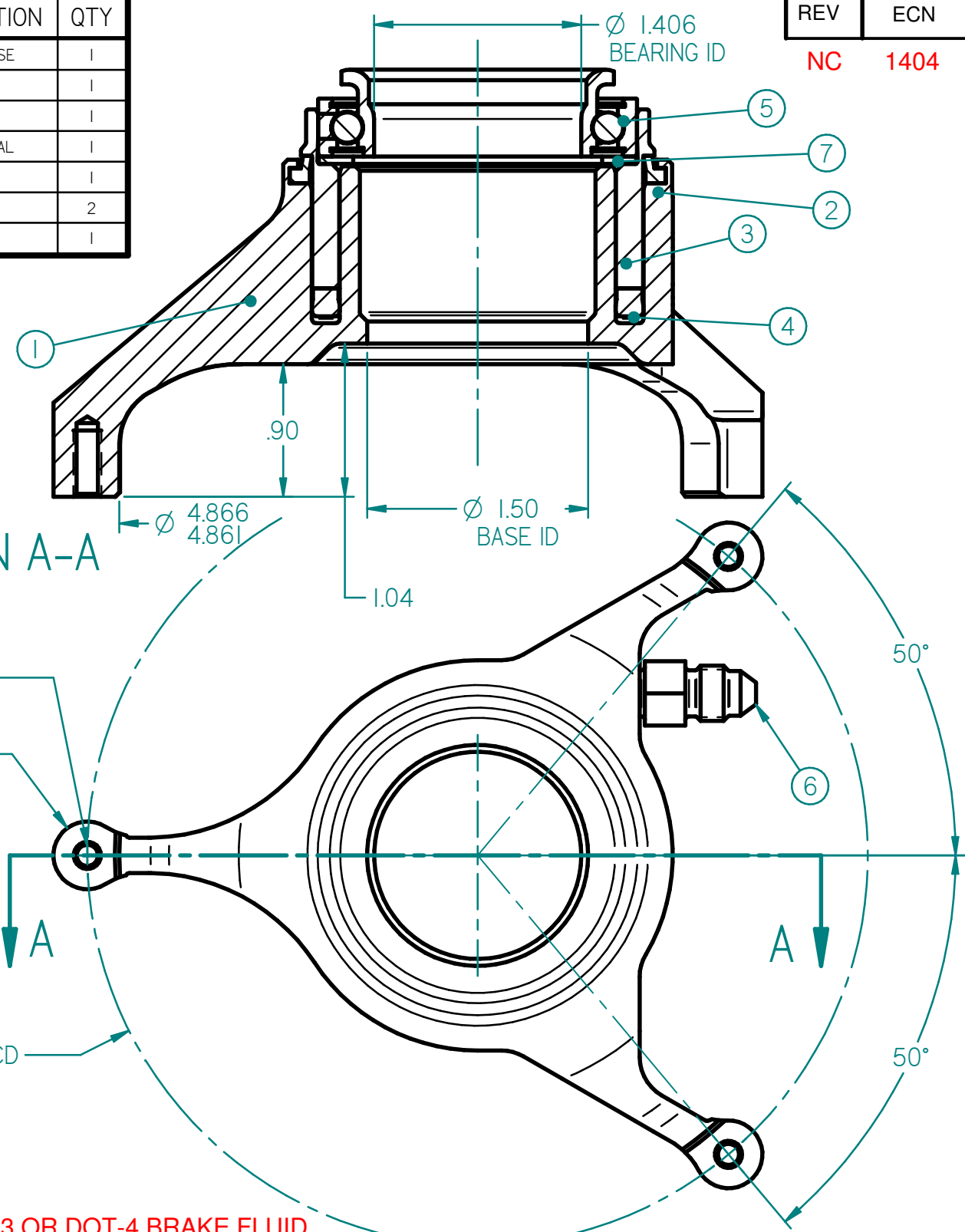


ITEM	PART #	DESCRIPTION	QTY
1	62-2001	HYDRAULIC BASE	1
2	62-617	WIPER	1
3	SEE CHART	PISTON	1
4	62-614	HYDRAULIC SEAL	1
5	62-031	BEARING	1
6	73-820	FITTING, AN-3	2
7	62-903	SHIM	1

REV	ECN	DATE	BY	CHANGE OR ADDITION
NC	1404	11/19/2018	LUND	INITIAL RELEASE

CHART OF AVAILABLE ASSEMBLIES		
HEIGHT*	ASSY PN	PISTON PN
2.90"	60-2200	62-6000
3.00"	60-2210	62-6001
3.10"	60-2220	62-6002
3.20"	60-2230	62-6003
3.30"	60-2240	62-6004
3.40"	60-2250	62-6005
3.50"	60-2260	62-6006
3.60"	60-2270	62-6007
3.70"	60-2280	62-6008
3.80"	60-2290	62-6009

* HEIGHTS SHOWN IN CHART ARE WITH 62-903 SHIM INSTALLED, SEE NOTE 7



- INSTALLATION NOTES:**
1. USE ONLY WITH DOT-3 OR DOT-4 BRAKE FLUID.
 2. NO INTERNAL TRAVEL LIMITER. MUST BE USED WITH CLUTCH PEDAL STOP.
 3. SEAL REBUILD KIT = 62-905.
 4. SEAL INSTALLATION TOOL = 96-002.
 5. HYDRAULIC AREA = 1.215 SQ IN.
 6. ORIENTATE BLEED PORT WITH 10 DEGREES OF TOP CENTER TO FACILITATE BLEEDING PROCESS.
 7. UNIT IS SHIPPED WITH SHIM 62-903 (.050" THICK) INSTALLED UNDER THE BEARING WHICH MAY BE REMOVED FOR ADDITIONAL CLEARANCE.
 8. BOTH PORTS AN-3, 3/8-24 UNF X .28 THREAD DEPTH.

TILTON ENGINEERING, INC.
 25 EASY STREET, P.O. BOX 1787, BUELLTON, CA 93427
 PHONE: 805/688-2353 FAX 805/688-2745 WWW.TILTONRACING.COM

TITLE: HYDRAULIC RELEASE BEARING ASSEMBLY
44mm RADIUS FACED BEARING, QM TRI-LITE REPLACEMENT

DRAWN BY WAHL	CHKD LUND	SCALE 1:1	SIZE B	DWG 6999	REV NC
P/N SEE CHART	DATE 11/19/2018	SHEET 1 OF 1			

tiltonENGINEERING

This document contains proprietary information of TILTON ENGINEERING, INC., and its receipt or possession does not convey the rights to reproduce, disclose its contents, or to manufacture, use or sell anything it may describe. Reproduction, disclosure, or use without specific written authorization of TILTON ENGINEERING, INC. is strictly forbidden.

