

4

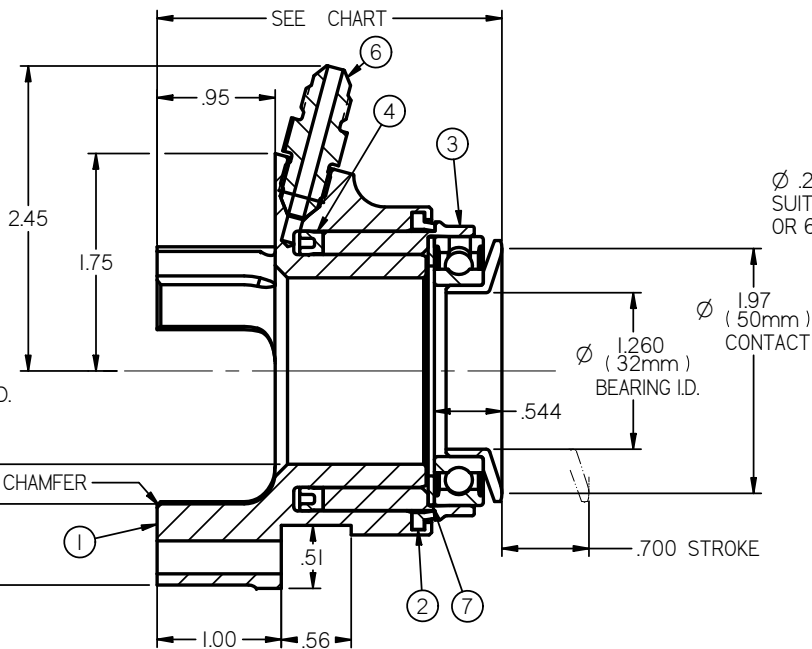
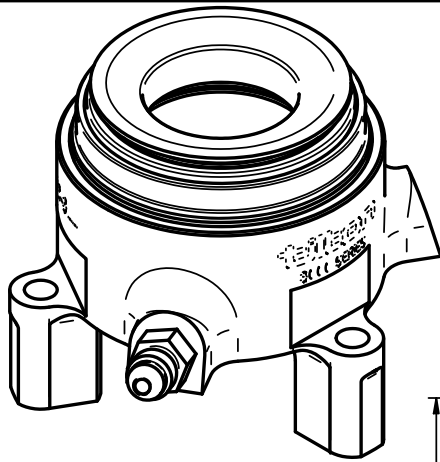
3

2

1

INSTALLATION NOTES:

1. USE ONLY WITH DOT-3 OR DOT-4 BRAKE FLUID.
2. NO INTERNAL TRAVEL LIMITER. MUST BE USED WITH CLUTCH PEDAL STOP.
3. SEAL REBUILD KIT = 62-905.
4. SEAL INSTALLATION TOOL = 96-002.
5. HYDRAULIC AREA = 1.215 SQ IN.
6. EITHER PORT MAY BE USED FOR FEED OR BLEED.
7. ORIENTATE BLEED PORT WITH 10 DEGREES OF TOP CENTER TO FACILITATE BLEEDING PROCESS.
8. UNIT IS SHIPPED WITH SHIM 62-903 (.050" THICK) INSTALLED UNDER THE BEARING WHICH MAY BE REMOVED FOR ADDITIONAL CLEARANCE.
9. BOTH PORTS 3/8-24 UNF X .28 THREAD DEPTH.



SECTION A-A

ITEM	PART NUMBER	DESCRIPTION	QTY
1	62-331	HYDRAULIC BASE	1
2	62-617	WIPER	1
3	SEE CHART	PISTON	1
4	62-614	HYDRAULIC SEAL	1
6	73-820	FITTING, AN-3	2
7	62-903	SHIM	1
8	62-009	BEARING, 50mm	1

Ø 3.000 B.C.D.
3 PL., EQ. SP.

Ø .266 THRU HOLE
SUITABLE FOR 1/4"
OR 6 mm FASTENERS

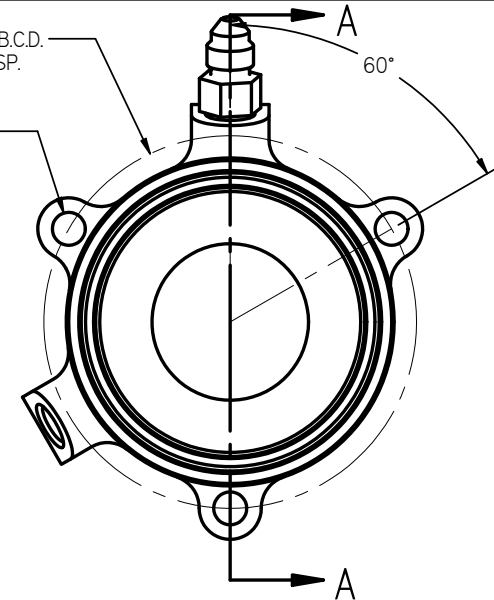


CHART OF AVAILABLE ASSEMBLIES		
HEIGHT	ASSY PN	PISTON PN
2.78"	60-3500	62-6000
2.88"	60-3510	62-6001
2.98"	60-3520	62-6002
3.08"	60-3530	62-6003
3.18"	60-3540	62-6004
3.28"	60-3550	62-6005
3.38"	60-3560	62-6006
3.48"	60-3570	62-6007
3.58"	60-3580	62-6008
3.68"	60-3590	62-6009

TILTON ENGINEERING, INC.

FAX 805/688-2745

25 EASY STREET, P.O. BOX 1787, BUELLTON, CA 93427 805/688-2353

TITLE: **HYDRAULIC RELEASE BEARING ASSEMBLY**
50mm RADIUS FACED BEARING, 3 LEG BASE

DRAWN BY	CHKD	SCALE	SIZE	DWG	REV
WAHL		1:1	B	7713	NC

P/N	DATE	SHEET
SEE CHART	05/02/2022	1 OF 1

This document contains proprietary information of TILTON ENGINEERING, INC. and its receipt or possession does not constitute an offer of any product or service. Reproduction, manufacture, use or sale without specific written authorization of TILTON ENGINEERING INC. is strictly forbidden.

TILTON ENGINEERING