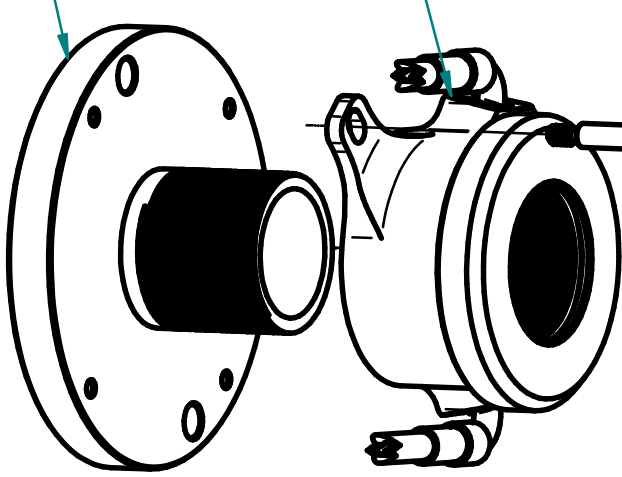
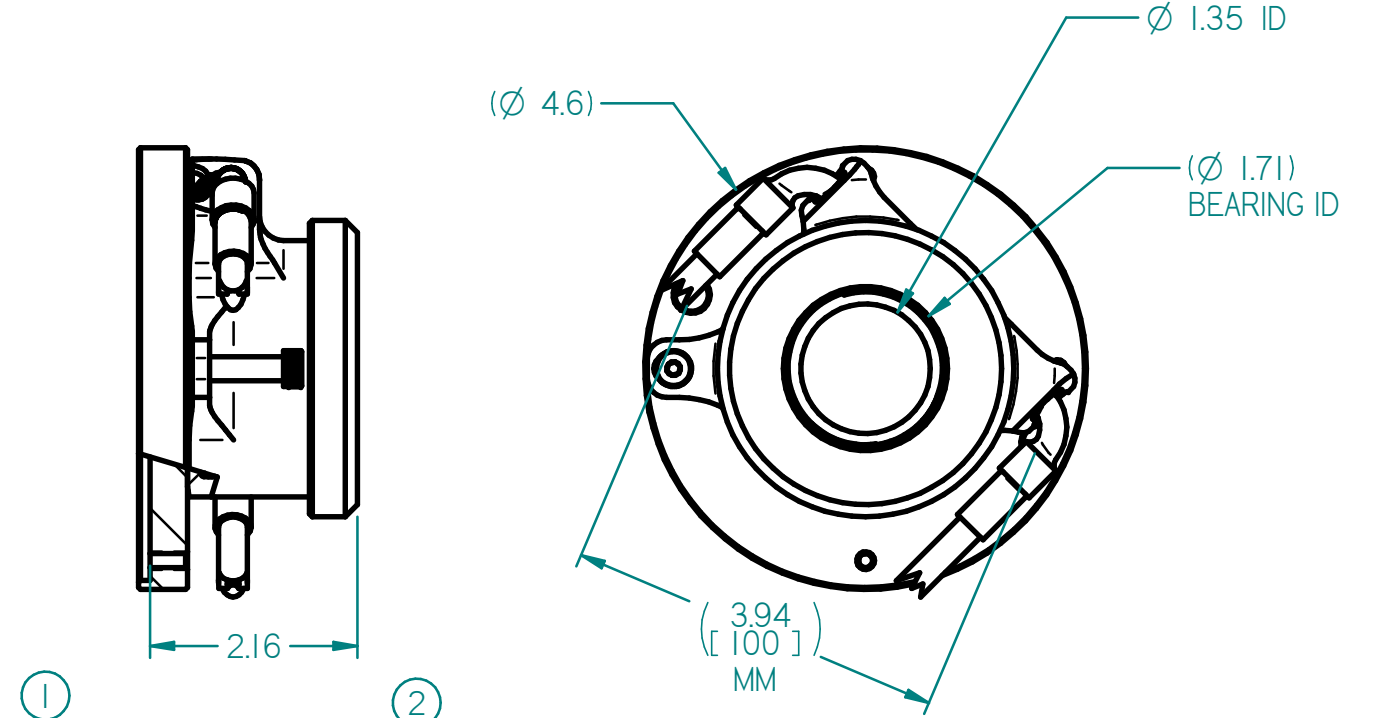
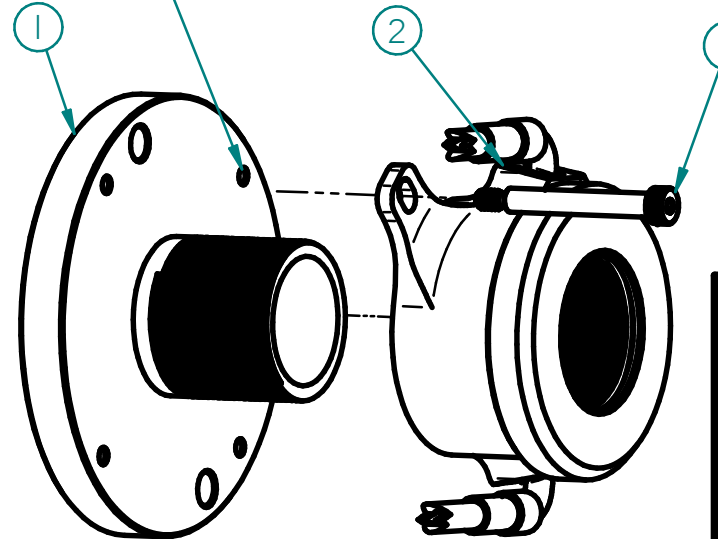
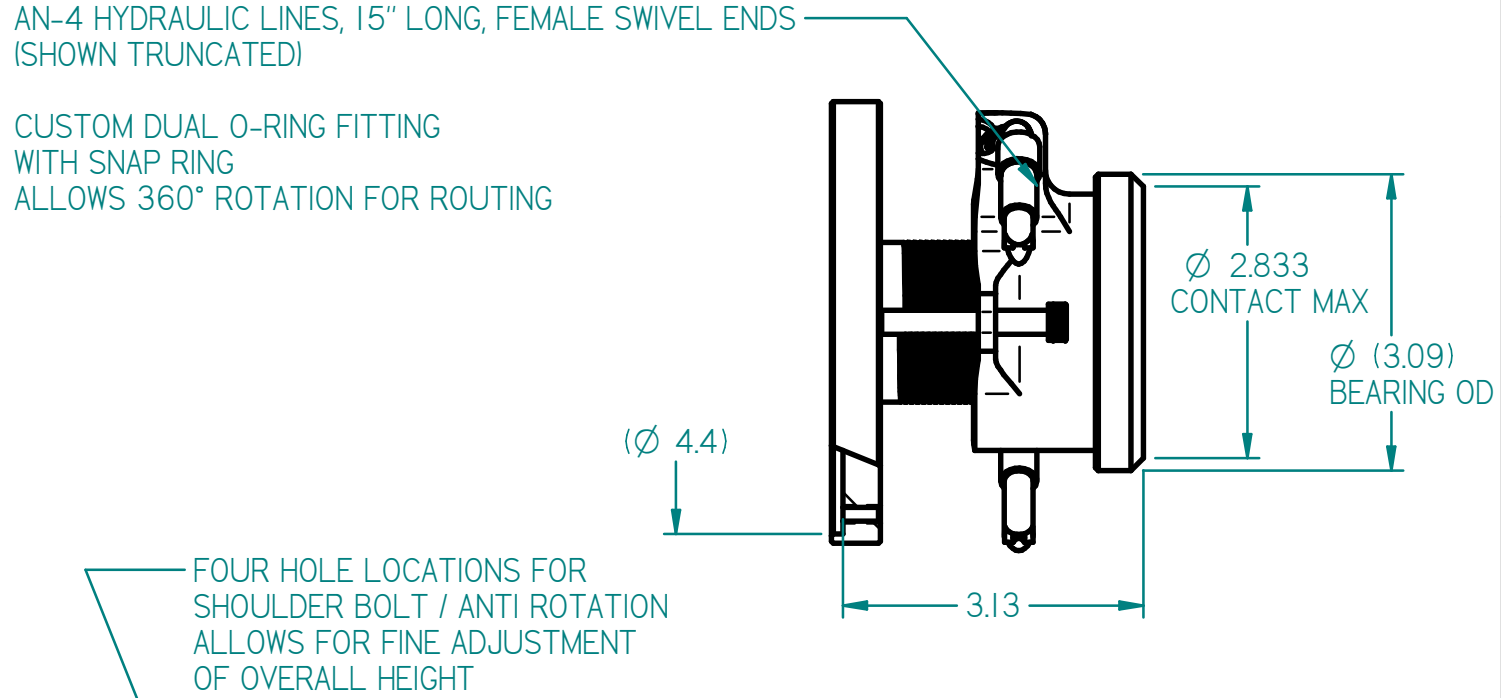


REV	ECN	DATE	BY	CHANGE OR ADDITION
-----	-----	------	----	--------------------



ITEM #	PART #	DESCRIPTION	QTY
1	62-899	ASSY,ADAPTER,T56 CHEV/FORD/MOPAR, 6000 SERIES HRB	1
2	60-610	HYDR REL BRG, FLAT FACE	1
3	1/4 X 1 SB	SHOULDER BOLT	1

- NOTES:**
- DIMENSIONS AND TOLERANCES PER ASME Y14.5 - 2009
  - UNLESS OTHERWISE SPECIFIED, ALL DIMENSIONS ARE IN INCHES.
  - BOTH SHOULDER BOLT LENGTHS ARE INCLUDED WITH 62-899 ASSEMBLY.
  - USE ONLY WITH DOT-3 OR DOT-4 BRAKE FLUID.
  - NO INTERNAL TRAVEL LIMITER. MUST BE USED WITH CLUTCH PEDAL STOP.
  - SEAL REBUILD KIT = 62-905.
  - SEAL INSTALLATION TOOL = 96-002.
  - HYDRAULIC AREA = 1.215 SQ IN.
  - EITHER PORT MAY BE USED FOR FEED OR BLEED.
  - ORIENTATE BLEED PORT TO WITHIN 10 DEGREES OF TOP CENTER TO FACILITATE BLEEDING PROCESS.



ITEM #	PART #	DESCRIPTION	QTY
1	62-899	ASSY,ADAPTER,T56 CHEV/FORD/MOPAR, 6000 SERIES HRB	1
2	60-610	HYDR REL BRG, FLAT FACE	1
4	1/4 X 1 3/4 SB	SHOULDER BOLT	1

AN-4 HYDRAULIC LINES, 15" LONG, FEMALE SWIVEL ENDS (SHOWN TRUNCATED)

CUSTOM DUAL O-RING FITTING WITH SNAP RING  
ALLOWS 360° ROTATION FOR ROUTING

FOUR HOLE LOCATIONS FOR SHOULDER BOLT / ANTI ROTATION  
ALLOWS FOR FINE ADJUSTMENT OF OVERALL HEIGHT

**TILTON ENGINEERING, INC.** FAX 805/688-2745  
 25 EASY STREET, P.O. BOX 1787, BUELLTON, CA 93427 805/688-2353

**TITLE: FLAT FACE HYDRAULIC RELEASE BEARING ASSEMBLY  
 ADJUSTABLE HEIGHT, MAXIMUM / MINIMUM**

DRAWN BY LUND	CHKD WAHL	SCALE 1:1	SIZE B	DWG 6294	REV A
P/N SEE TABLES	DATE 12/14/2015	SHEET 1 OF 1			

This document contains proprietary information of TILTON ENGINEERING, INC., and its receipt or possession does not convey the rights to reproduce, disclose its contents, or to manufacture, use or sell anything it may describe. Reproduction, disclosure, or use without specific written authorization of TILTON ENGINEERING, INC. is strictly forbidden.

