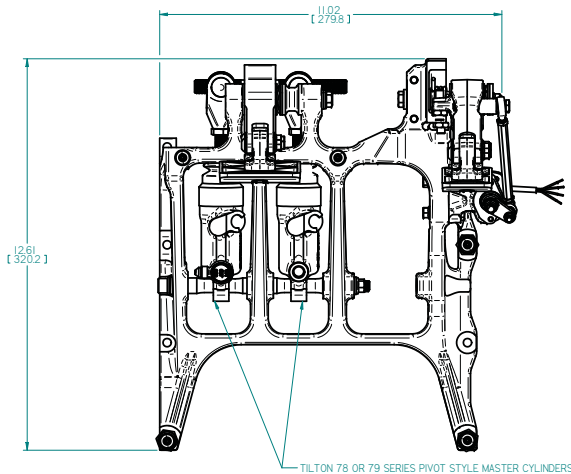
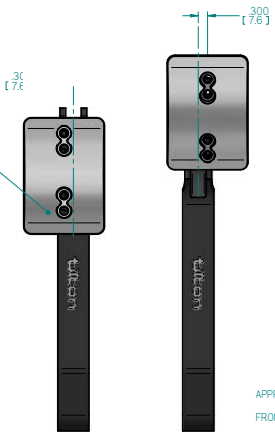


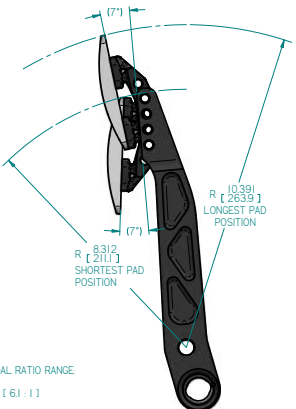
REV	ECN	DATE	BY	CHANGE OR ADDITION



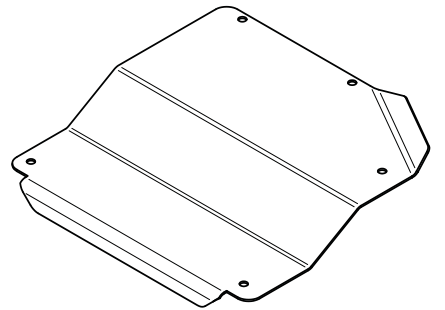
DIE-CUT ANTI-SLIP TAPE SUPPLIED WITH KIT BUT NOT INSTALLED, GIVING CHOICE OF SMOOTH OR ROUGH PAD SURFACES.



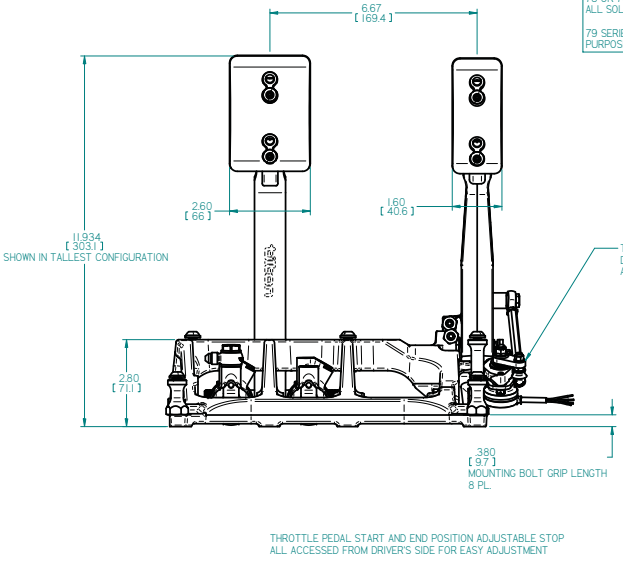
APPROXIMATE PEDAL RATIO RANGE FROM [4.8 : 1] TO [6.1 : 1] DEPENDING ON FOOT PAD POSITION



FALSE FLOOR COVER PLATE SYSTEM (72-853-FP) AVAILABLE SEPARATELY

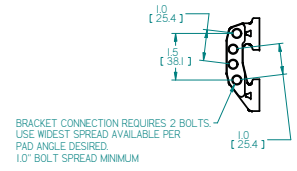


PEDAL ASSEMBLY IS COMPATIBLE WITH TILTON ENGINEERING 78 OR 79 SERIES MASTER CYLINDERS AT BOTH BRAKE PEDAL LOCATIONS ALL SOLD SEPARATELY
79 SERIES MASTER CYLINDERS SHOWN HERE ARE FOR ILLUSTRATION PURPOSES ONLY AND ARE NOT INCLUDED WITH PEDAL ASSEMBLY

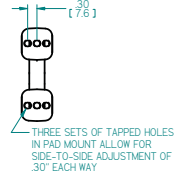


THROTTLE PEDAL START AND END POSITION ADJUSTABLE STOP ALL ACCESSED FROM DRIVER'S SIDE FOR EASY ADJUSTMENT

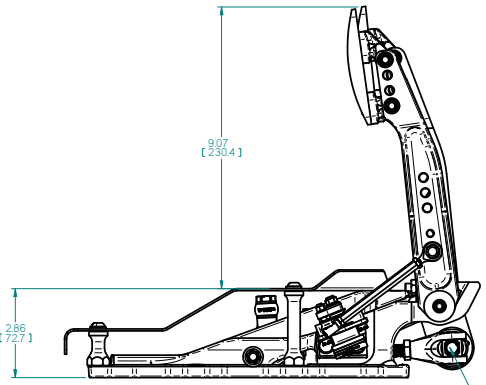
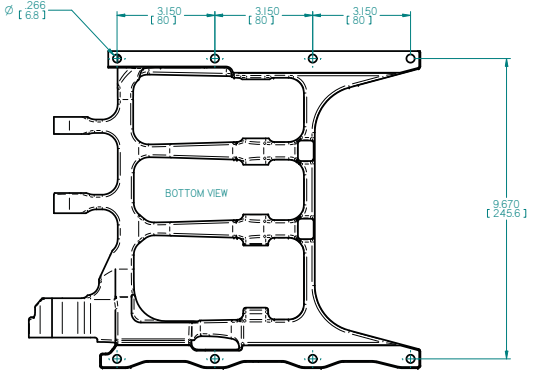
TILTON THROTTLE LINKAGE KITS FOR DRIVE BY WIRE OR MECHANICAL CABLE AVAILABLE SEPARATELY



BRACKET CONNECTION REQUIRES 2 BOLTS. USE WIDEST SPREAD AVAILABLE PER PAD ANGLE DESIRED. 1.0" BOLT SPREAD MINIMUM



THREE SETS OF TAPPED HOLES IN PAD MOUNT ALLOW FOR SIDE-TO-SIDE ADJUSTMENT OF 30° EACH WAY



72-873 BALANCE BAR CAN ACCEPT ALL TILTON REMOTE CABLE ADJUSTERS

- NOTES:
 1. DIMENSIONS AND TOLERANCES PER ASME Y14.5 - 2009
 2. UNLESS OTHERWISE SPECIFIED, ALL DIMENSIONS ARE IN INCHES.
 3. BREAK SHARP EDGES .005-.010.

TILTON ENGINEERING, INC.
 25 EASY STREET P.O. BOX 1787 BUELLTON, CALIFORNIA 93427 USA
 PHONE: (805) 688-2353 FAX: (805) 688-2745 WWW.TILTONRACING.COM



TITLE: INSTALLATION DRAWING, ASSEMBLY, PEDALS UNDERFOOT, STATIONARY, THROTTLE, BRAKE, PIVOT TYPE MASTERS

DRN BY	LUND	CHKD	WAHL	SCALE	1:2	DWG	6945	REV	NC
PN	72-857	DATE	1/23/2019	SHEET	1 OF 1				

This document contains proprietary information of TILTON ENGINEERING, INC., and its receipt or possession does not convey the rights to reproduce, disclose its contents, or to manufacture, use or sell anything it may describe. Reproduction, disclosure, or use without specific written authorization of TILTON ENGINEERING, INC. is strictly prohibited.

TILTON ENGINEERING