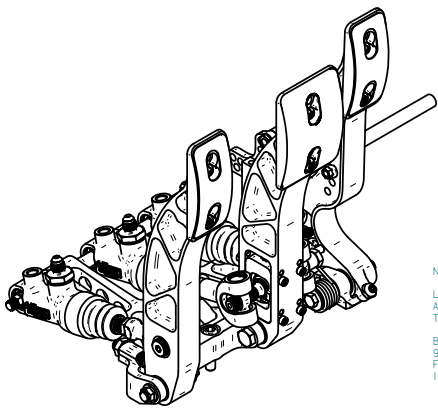
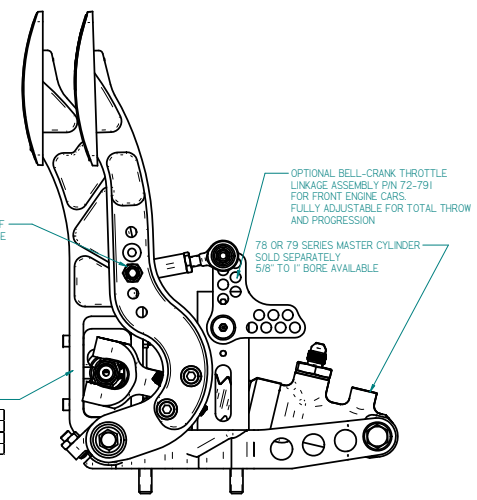
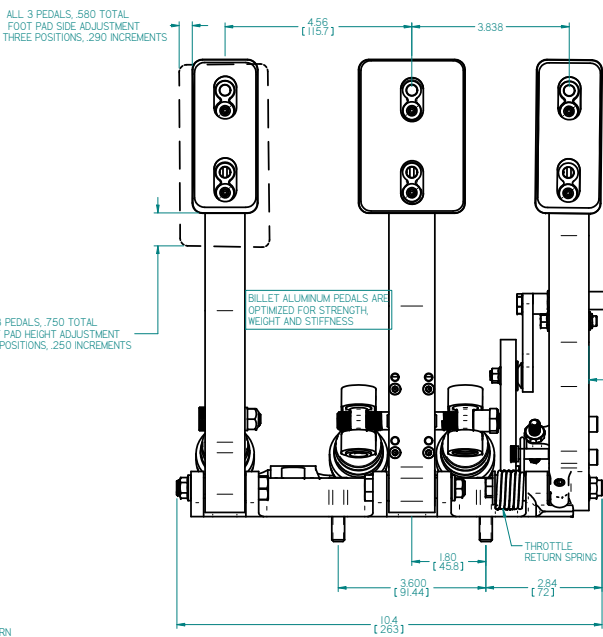
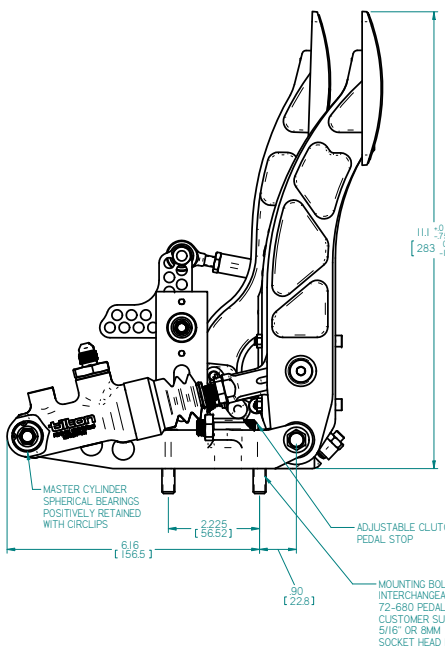
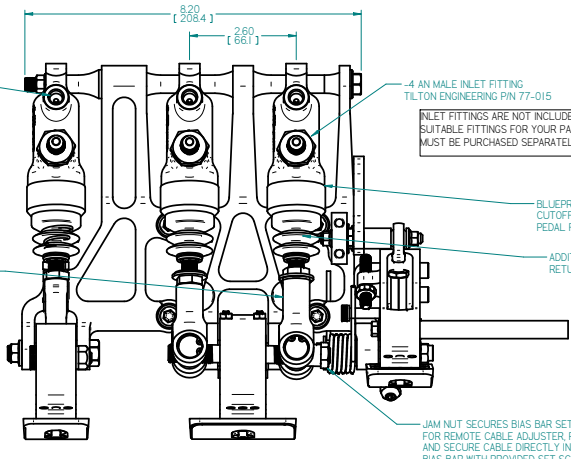


REV	ECN	DATE	BY	CHANGE OR ADDITION
B	1102	9/18/13	LUND	ADDED DUAL DIMENSIONS
C		7/17/2023	WAHL	CHANGED PEDAL STOP TO SIDE MOUNT; REDESIGNED ALL THREE PEDALS.



NEEDLE BEARINGS ON ALL BIAS BAR PIVOTS
LONG CLEVIS FOR LONGER STROKE FRONT MASTER CYLINDER AT REST. LONG CLEVIS ROTATES BIAS BAR AS SHOWN. THIS ALLOWS BIAS BAR TO RUN SQUARE UNDER BRAKING
BIAS BAR DATA:
9 TURNS OF TOTAL ADJUSTMENT
FRONT TO REAR BIAS FROM 59/41% TO 41/59%
1 TURN = 19% CHANGE



NOTES:
1. UNLESS OTHERWISE SPECIFIED, ALL DIMENSIONS ARE INCHES [MM].
2. DIMENSIONS ARE NOMINAL.
3. WEIGHT 5.00 LB, AS SUPPLIED. NO MASTER CYLINDERS, NO 72-791 LINKAGE

TILTON ENGINEERING, INC.		(805) 688-2353 FAX (805) 688-2745	
25 EASY STREET P.O. BOX 1787		BUELLTON, CALIFORNIA 93427 USA	
TITLE: CUSTOMER INSTALLATION DRAWING FLOOR MOUNT PIVOT MOUNT PEDAL ASSEMBLY			
DRN BY VANSCHMUS	CHKD	SCALE 2/3	DWG 4955
PIN 72-903	DATE 06/25/05	SHEET 1 OF 1	REV C

This document contains proprietary information of TILTON ENGINEERING, INC., and its receipt or possession does not convey the right to reproduce, disclose its contents, or to manufacture, use or sell anything it may describe. Reproduction, disclosure, or use without specific written authorization of TILTON ENGINEERING, INC. is strictly forbidden.

TILTON ENGINEERING