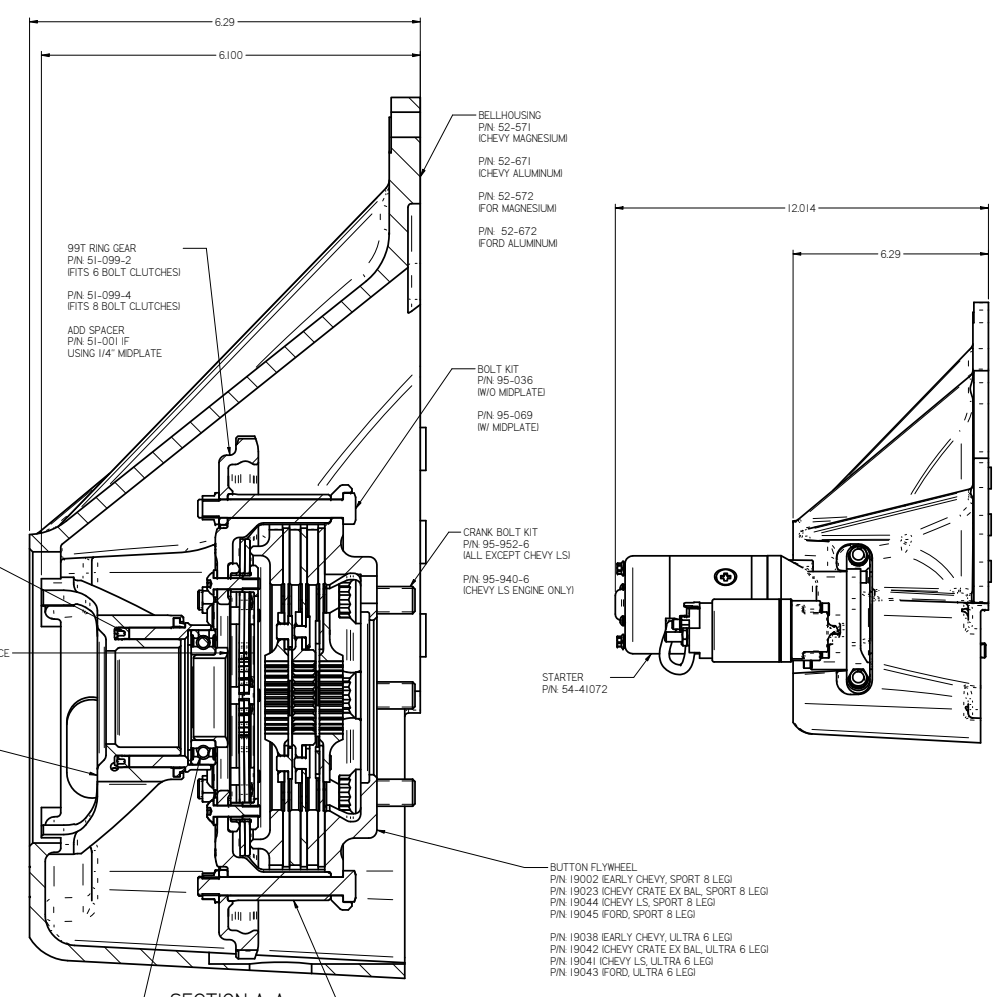
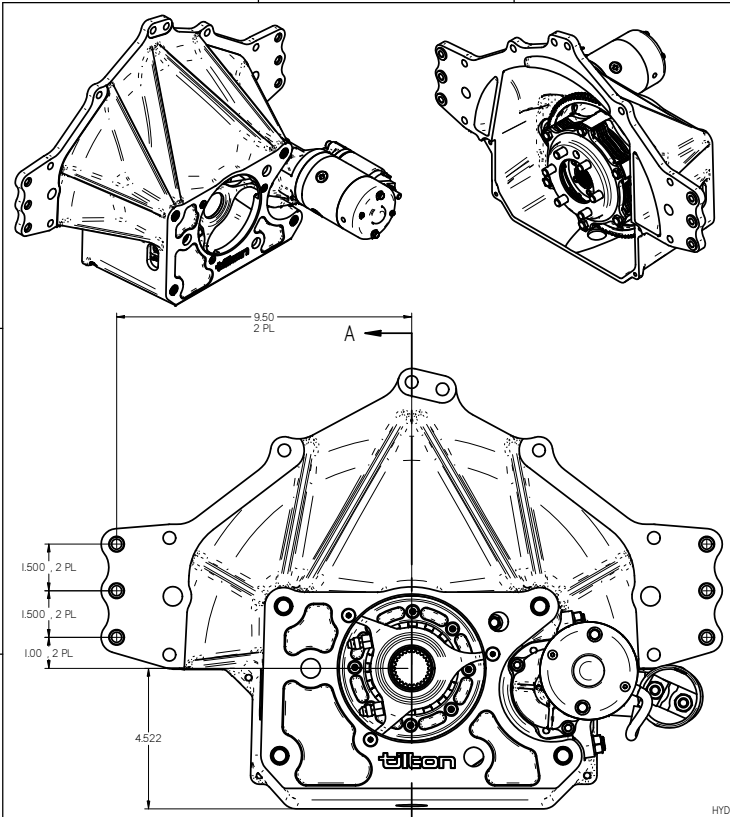


REV	ECN	DATE	BY	CHANGE OR ADDITION
-----	-----	------	----	--------------------



SEAL REPAIR KIT
PIN 62-905

.18 ± .06 RELEASE BEARING CLEARANCE
RECOMMENDED RANGE
(NEW CLUTCH, HRB COMPRESSED)

HYDRAULIC RELEASE BEARING
PIN 60-2310
(3.000 OVERALL HEIGHT FOR
APPLICATIONS W/O MIDPLATE)

PIN 60-2341
(3.250 OVERALL HEIGHT FOR
MIDPLATE APPLICATIONS)

POPULAR MAGNESIUM BELLHOUSING KIT PART NUMBERS		POPULAR ALUMINUM BELLHOUSING KIT PART NUMBERS	
PART NUMBER	DESCRIPTION	PART NUMBER	DESCRIPTION
52-61130	BH KIT, 99T MAG, CHEVY EARLY, 5.5" SPORT, 3 DISC	52-71130	BH KIT, 99T ALUM, CHEVY EARLY, 5.5" SPORT, 3 DISC
52-61131	BH KIT, 99T MAG, CHEVY EARLY, 5.5" SPORT, 3 DISC, W/ MIDPLATE	52-71131	BH KIT, 99T ALUM, CHEVY EARLY, 5.5" SPORT, 3 DISC, W/ MIDPLATE
52-61630	BH KIT, 99T MAG, CHEVY EARLY, 5.5" ULTRA, 3 DISC	52-71630	BH KIT, 99T ALUM, CHEVY EARLY, 5.5" ULTRA, 3 DISC
52-61631	BH KIT, 99T MAG, CHEVY EARLY, 5.5" ULTRA, 3 DISC, W/ MIDPLATE	52-71631	BH KIT, 99T ALUM, CHEVY EARLY, 5.5" ULTRA, 3 DISC, W/ MIDPLATE
52-62130	BH KIT, 99T MAG, FORD, 5.5" SPORT, 3 DISC	52-72130	BH KIT, 99T ALUM, FORD, 5.5" SPORT, 3 DISC
52-62630	BH KIT, 99T MAG, FORD, 5.5" ULTRA, 3 DISC	52-72630	BH KIT, 99T ALUM, FORD, 5.5" ULTRA, 3 DISC
52-63130	BH KIT, 99T MAG, CHEVY LSI, 5.5" SPORT, 3 DISC	52-73130	BH KIT, 99T ALUM, CHEVY LSI, 5.5" SPORT, 3 DISC
52-63131	BH KIT, 99T MAG, CHEVY LSI, 5.5" SPORT, 3 DISC, W/ MIDPLATE	52-73131	BH KIT, 99T ALUM, CHEVY LSI, 5.5" SPORT, 3 DISC, W/ MIDPLATE
52-63630	BH KIT, 99T MAG, CHEVY LSI, 5.5" ULTRA, 3 DISC	52-73630	BH KIT, 99T ALUM, CHEVY LSI, 5.5" ULTRA, 3 DISC
52-63631	BH KIT, 99T MAG, CHEVY LSI, 5.5" ULTRA, 3 DISC, W/ MIDPLATE	52-73631	BH KIT, 99T ALUM, CHEVY LSI, 5.5" ULTRA, 3 DISC, W/ MIDPLATE
52-64130	BH KIT, 99T MAG, CHEVY EX BAL CRATE, 5.5" SPORT, 3 DISC	52-74130	BH KIT, 99T ALUM, CHEVY EX BAL CRATE, 5.5" SPORT, 3 DISC
52-64630	BH KIT, 99T MAG, CHEVY EX BAL CRATE, 5.5" ULTRA, 3 DISC	52-74630	BH KIT, 99T ALUM, CHEVY EX BAL CRATE, 5.5" ULTRA, 3 DISC

NOTES:
 1. DIMENSIONS AND TOLERANCES PER ASME Y14.5 - 2009
 2. UNLESS OTHERWISE SPECIFIED, ALL DIMENSIONS ARE IN INCHES.
 3. UNLESS OTHERWISE SPECIFIED, ALL KITS COME WITH 1-5/32 X 26T SPLINE HUBS.

TILTON ENGINEERING, INC.
 25 EASY STREET P.O. BOX 1787 BUELLTON, CALIFORNIA 93427 USA
 PHONE: (805) 688-2353 FAX: (805) 688-2745 WWW.TILTONRACING.COM

TITLE: BELLHOUSING KIT
 REAR STARTER, 99T RING GEAR, 5.5" TRIPLE DISC CLUTCH

DRN BY WAHL	CHKD	SCALE 1:1	DWG 7127	REV NC
PIN AS NOTED	DATE 2/25/2022	SHEET 1 OF 1		



THIS DRAWING USES THIRD ANGLE PROJECTION

This document contains proprietary information of TILTON ENGINEERING, INC., and its receipt or possession does not convey the rights to reproduce, disclose its contents, or to manufacture, use or sell anything it may describe. Reproduction, disclosure, or use without specific written authorization of TILTON ENGINEERING, INC. is strictly forbidden.

TILTON ENGINEERING